

Частное предприятие "Юдилен-Холод" || +375296803378 || <https://купизапчасть.бел> || Минская обл., Минский р-н, Щомыслицкий с/с, 92/4

我们深知设备对于企业发展的重要性。多年来我司一直坚持不懈地研发和更新软硬件设施，不仅引进了国外先进设备和生产技术，还自主研发各种专用装备。自动连续化生产线的实现，进一步完善了生产体系，使我司在行业中更专业、更全面。

We are well aware of the importance of the equipments for the company development. In the past years, we have been developing and replacing the software and hardware facilities. Not only introduced the advanced equipments and production technologies from abroad, but also developed the special equipments independently. The realization of the automatic continuous production line, has further improved the production systems, which made our company be more professional and comprehensive in the industry.



Частное предприятие "Юдилен-Холод" || +375296803378 || <https://купизапчасть.бел> || Минская обл., Минский р-н, Щомыслицкий с/с, 92/4

一、干燥过滤器系列

- | | | |
|--------------------------|---|----|
| 1.1 SEK系列颗粒状液体管路用干燥过滤器 | SEK SERIES MOLECULAR SIEVE LIQUID LINE FILTER-DRIER | 1 |
| 1.2 SAD系列模制芯体液体管路用干燥过滤器 | SAD SERIES SOLID CORE LIQUID LINE FILTER-DRIER | 2 |
| 1.3 SDML系列颗粒状液体管路用干燥过滤器 | SDML SERIES MOLECULAR SIEVE LIQUID LINE FILTER-DRIER | 3 |
| 1.4 SDCL系列模制芯体液体管路用干燥过滤器 | SDCL SERIES SOLID CORE LIQUID LINE FILTER-DRIER | 4 |
| 1.5 SG系列颗粒状液体管路用干燥过滤器 | SG SERIES MOLECULAR SIEVE LIQUID LINE FILTER-DRIER | 5 |
| 1.6 S系列模制芯体液体管路用干燥过滤器 | S SERIES SOLID CORE LIQUID LINE FILTER-DRIER | 6 |
| 1.7 SEK/P系列颗粒状液体管路用干燥过滤器 | SEK/P SERIES MOLECULAR SIEVE LIQUID LINE FILTER-DRIER | 7 |
| 1.8 SEG系列带视镜液管干燥过滤器 | SEG SERIES LIQUID LINE FILTER DRIER WITH SIGHT GLASS | 8 |
| 1.9 SFK系列双向热泵液体管路用干燥过滤器 | SFK SERIES BI-FLOW LIQUID LINE FILTER DRIER | 9 |
| 1.10 SFX系列吸气管路用过滤器 | SFX SERIES SUCTION LINE FILTER-DRIER | 10 |
| 1.11 SFD系列模制芯体吸气管路用干燥过滤器 | SFD SERIES SOLID CORE SUCTION LINE FILTER-DRIER | 11 |
| 1.12 SPL干燥过滤筒 | SPL FILTER CYLINDER | 12 |
| 1.13 滤芯系列 | FILTER CORE SERIES | 13 |

二、气液分离器系列

- | | | |
|-----------------|--------------------------------|----|
| 2.1 SPLQ系列气液分离器 | SPLQ SERIES LIQUID ACCUMULATOR | 14 |
|-----------------|--------------------------------|----|

三、油分离器系列

- | | | |
|---------------------|---|----|
| 3.1 SPLY空调用油分离器 | SPLY AIR-CONDITIONING OIL SEPARATOR | 15 |
| 3.2 SPLY 带法兰空调用油分离器 | SPLY WITH FLANGE AIR-CONDITIONING OIL SEPARATOR | 16 |
| 3.3 SPLY-K油位控制器 | SPLC-K MECHANICAL OIL LEVEL REGULATOR | 17 |

四、储液器系列

- | | | |
|-----------------|-----------------------------|----|
| 4.1 SPLC系列储液器 | SPLC SERIES LIQUID RECEIVER | 18 |
| 4.2 SPLC系列储液器 | SPLC SERIES LIQUID RECEIVER | 19 |
| 4.3 SPLC系列储液器 | SPLC SERIES LIQUID RECEIVER | 20 |
| 4.4 SPLC-M系列储液器 | SPLC-M LIQUID RECEIVER | 21 |
| 4.5 SPLC-F系列储液器 | SPLC-F LIQUID RECEIVER | 22 |
| 4.6 SPLC-Y系列储油器 | SPLC-Y OIL RECEIVER | 23 |

五、热交换器系列

- | | | |
|----------------------|---|----|
| 5.1 SPLR制冷用热交换气液分离器 | SPLR HEAT EXCHANGER OF GAS-LIQUID SEPARATOR FOR REFRIGERATION | 25 |
| 5.2 SPLS贮液、积液、省能热交换器 | SPLS HEATING EXCHANGERS OF LIQUID RECEIVER & LIQUID ACCUMULATOR | 26 |

六、管路件系列

- | | | |
|-------------------|--|----|
| 6.1 SVA系列避震管 | SVA SERIES VIBRATION ABSORBER | 27 |
| 6.2 家用分体空调不锈钢连接软管 | FLEXIBLE STAINLESS STEEL HOSE FOR AIR CONDITIONER | 28 |
| 6.3 家用空调不锈钢出水管系列 | HOUSEHOLD AIR CONDITIONER STAINLESS STEEL OUTLET PIPE SERIES | 32 |
| 6.4 家用空调消音器系列 | HOUSEHOLD AIR CONDITIONING SILENCER SERIES | 33 |

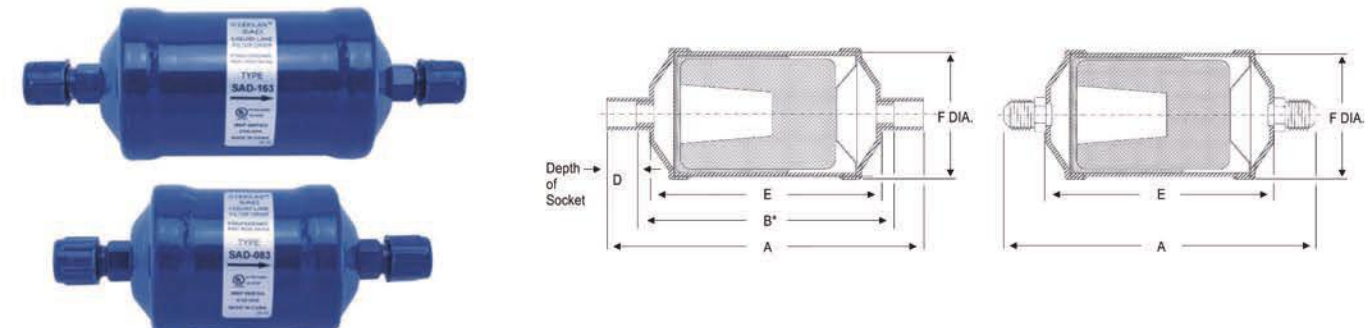
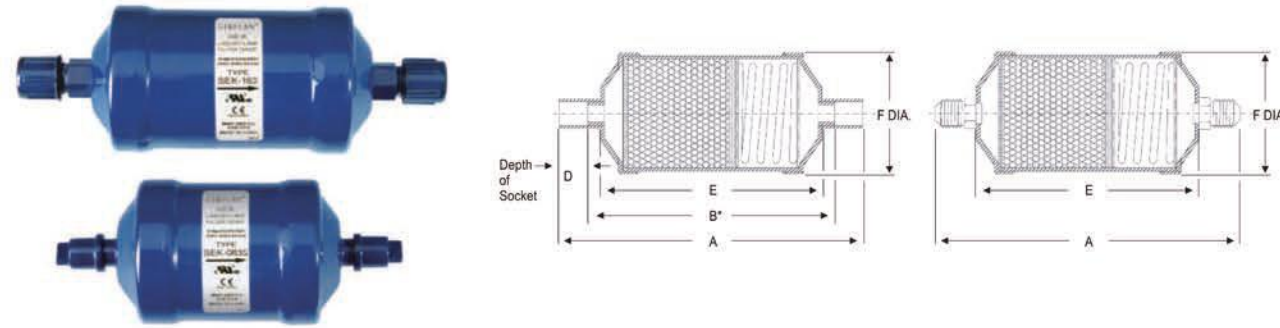
七、阀件系列

- | | | |
|-------------------|-------------------------------------|----|
| 7.1 SPLF-DG钢珠式单向阀 | SPLF-DG STEEL BALL TYPE CHECK VALVE | 34 |
| 7.2 SPLF-DM膜片式单向阀 | SPLF-DM MAGNETIC CHECK VALVE | 35 |
| 7.3 SPLF-R活塞式电磁阀 | SPLF-R SOLENOID VALVE TYPE SPLF | 37 |

Частное предприятие "Юдипен-Холод" || +375296803378 || <https://купизапчасть.бел> || Минская обл., Минский р-н, Щомыслицкий с/с, 92/4

1.1 SEK系列颗粒状液体管路用干燥过滤器
1.1 SEK SERIES MOLECULAR SIEVE LIQUID LINE FILTER-DRIER

1.2 SAD系列模制芯体液体管路用干燥过滤器
1.2 SAD SERIES SOLID CORE LIQUID LINE FILTER-DRIER



SEK系列颗粒状液体管路用干燥过滤器，采用了高品质的压缩球形干燥剂，并且在筒体内经过自动压缩与高密度滤网结合，达到干燥过滤的作用，能有效过滤系统中残留的水份和杂质。

SEK series molecular liquid line filter-drier, using high quality compressed spherical desiccant, and compressed through automatic integration with high-density filters in the cylinder body, to achieve the role of drying filter that can effectively filter system of residual water copies and debris.

SAD系列模制芯体液体管路用干燥过滤器，采用了高品质的压缩小颗粒球形干燥剂烧结成的模块，与高密度滤网布结合，达到干燥过滤的作用，能有效过滤系统中残留的水份和杂质。

SAD series solid core liquid line filter drier, using a high-quality compression of small spherical particles sintered desiccant module, combined with high-density filter cloth, to dry and the role of filter, that can effectively filter system residues of water and debris.

◆ 特征 / Feature:

- 自动压缩装置使磨损的分子筛得到自动填充
 - 具有能溶解水和酸等污染物的能力
 - 垫子的运动不会引起震动
 - 干燥和过滤相结合的作用
 - 过滤密度: 20微米 (microns)
 - 环氧粉末喷涂, 盐雾实验达500小时以上
 - 接口形式有SAE和ODF, 为了用户能够方便焊接ODF的采用TP2铜管预留
 - 适用多种制冷剂R-12, R-134a, R-22, R-404A, R-407C, R-410A, R-500, R-502, R-507
 - 最大工作压力: 4.7Mpa/680Psig, 通过了UL和CE认证
- The automatic compressed device makes it possible to automatically fill in the worn molecules
 - High moisture and acid removal capacity
 - Motion of pads will not cause vibration
 - Drying and filtering effect of combining
 - Filtration: 20 microns
 - Corrosion resistant epoxy powder paint finish, salt spray test above 500 hours
 - Two kinds of connection methods: ODF and SAE. In order to facilitate welding, ODF adoption of TP2 copper reserve
 - For a variety of refrigerant R-12, R-134a, R-22, R-404A, R-407C, R-410A, R-500, R-502, R-507
 - Maximum working pressure: 4.7Mpa/680Psig, with the UL and CE certification

◆ 特征 / Feature:

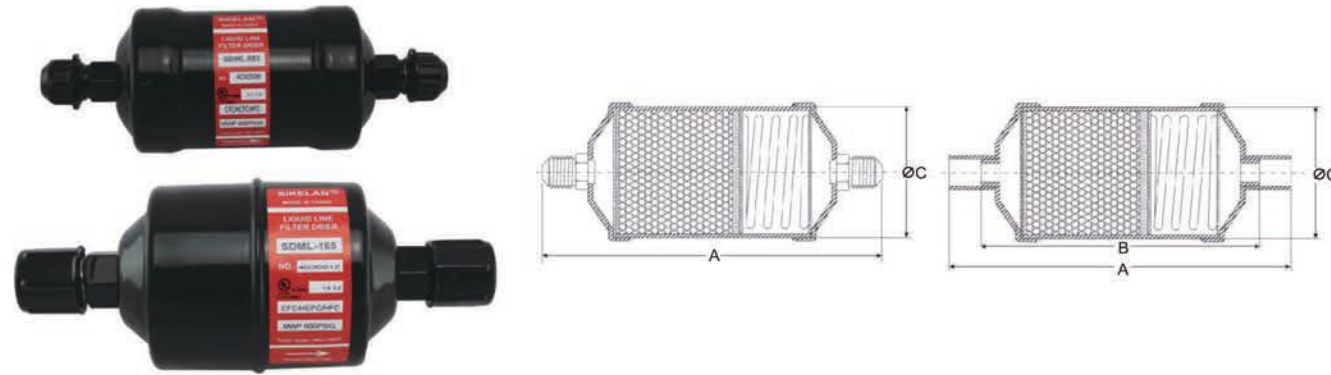
- 高强度小颗粒球形干燥剂烧结成的模块, 使得运行时无震动和摩擦, 减少干燥剂的磨损
 - 具有能溶解水和酸等污染物的能力
 - 干燥和过滤相结合的作用
 - 过滤密度: 20微米 (microns)
 - 以最小的压力降设计, 使得系统在运行时更好的发挥能效比
 - 环氧粉末喷涂, 盐雾实验达500小时以上
 - 接口形式有SAE和ODF, 为了用户能够方便焊接ODF的采用TP2铜管预留
 - 适用多种制冷剂R-12, R-134a, R-22, R-404A, R-407C, R-410A, R-500, R-502, R-507等
 - 最大工作压力: 4.7Mpa/680Psig, 通过了UL和CE认证
- Small spherical particles of high strength sintered desiccant module, to make run-time without shock and friction, reduce wear of the desiccant
 - High moisture and acid removal capacity
 - Drying and filtering effect of combining
 - Filtration: 20 microns
 - With minimum pressure drop design allows the system to play better energy efficiency in the run-time
 - Corrosion resistant epoxy powder paint finish, salt spray test above 500 hours
 - Two kinds of connection methods: ODF and SAE. In order to facilitate welding, ODF adoption of TP2 copper reserve
 - For a variety of refrigerant R-12, R-134a, R-22, R-404A, R-407C, R-410A, R-500, R-502, R-507
 - Maximum working pressure: 4.7Mpa/680Psig, with the UL and CE certification

型号 MODEL	接口(英寸) CONNECTION(IN)		液体制冷量(冷吨) LIQUID FLOW CAPACITY(TONS)						A(IN)	B(IN)	D(IN)	E(IN)	F(IN)
	焊口 ODF	螺口 SAE	R134a	R12	R22 R-410a	R407c	R404a R-507	R502					
SEK-032		1/4	1.61	2.09	2.21	2.12	1.45	1.45	4.13	-----	-----		
SEK-032S	1/4		2.21	2.72	2.88	2.88	1.98	1.98	3.78	2.56	0.61	2.36	1.69
SEK-033		3/8	2.51	3.01	3.32	3.22	2.22	2.12	4.53	-----	-----		
SEK-033S	3/8		2.51	3.01	3.32	3.22	2.22	2.12	3.86	2.60	0.63		
SEK-052		1/4	1.72	2.12	2.32	2.22	1.52	1.52	4.86	-----	-----		
SEK-052S	1/4		2.72	3.32	3.62	3.52	2.42	2.31	4.55	3.33	0.61	3.13	
SEK-053		3/8	2.91	3.53	3.85	3.69	2.54	2.54	5.30	-----	-----		
SEK-053S	3/8		3.62	4.41	4.78	4.68	3.23	3.13	4.63	3.37	0.63		
SEK-082		1/4	1.89	2.31	2.28	2.45	1.69	1.58	5.63	-----	-----		
SEK-082S	1/4		2.55	3.12	3.46	3.34	2.23	2.23	5.28	4.06	0.61		
SEK-083		3/8	3.33	4.01	4.35	4.36	2.94	2.84	6.02	-----	-----		
SEK-083S	3/8		3.76	4.56	4.88	4.78	3.29	3.19	5.35	4.09	0.63		
SEK-084		1/2	5.56	6.75	7.32	7.13	4.96	4.76	6.18	-----	-----		
SEK-084S	1/2		5.88	7.12	7.74	7.55	5.12	5.07	5.42	4.17	0.62		
SEK-162		1/4	1.98	2.36	2.57	2.44	1.72	1.63	6.56	5.25	-----		
SEK-162S	1/4		2.55	3.12	3.45	3.32	2.19	2.19	6.19	-----	-----		
SEK-163		3/8	3.19	3.88	4.25	4.11	2.78	2.71	7.01	-----	-----		
SEK-163S	3/8		3.61	4.41	4.79	4.77	3.16	3.13	6.17	5.08	0.54		
SEK-164		1/2	5.88	7.14	7.81	7.77	5.23	5.12	7.17	-----	-----		
SEK-164S	1/2		7.10	8.50	9.22	9.01	6.21	6.02	6.23	5.16	0.54		
SEK-165		5/8	8.02	9.71	10.45	10.32	7.01	6.82	7.60	-----	-----		
SEK-165S	5/8		8.32	10.12	10.94	10.77	7.32	7.12	6.42	5.24	0.59		
SEK-167S		7/8	12.78	15.56	16.87	16.54	11.26	10.92	7.05	5.24	0.91		
SEK-303		3/8	3.61	4.34	4.71	4.61	3.16	3.11	9.51	-----	-----		
SEK-303S	3/8		5.23	6.36	6.87	6.78	4.63	4.45	8.84	7.58	0.63		
SEK-304		1/2	6.64	8.13	8.89	8.64	5.92	5.71	9.67	-----	-----		
SEK-304S	1/2		8.78	10.62	11.52	11.36	7.74	7.53	9.00	7.66	0.67		
SEK-305		5/8	8.78	10.69	11.56	11.35	7.74	7.54	10.10	-----	-----		
SEK-305S	5/8		10.32	12.51	13.52	13.33	9.12	8.84	9.23	7.74	0.75		
SEK-306		3/4							10.45	-----	-----		
SEK-306S	3/4		12.12	14.84	16.06	15.75	10.71	10.44	9.31	7.74	0.79		
SEK-307S		7/8	13.84	16.84	18.23	19.72	12.23	11.84	9.78	7.74	1.02		
SEK-309S	1-1/8		16.12	19.63	21.25	20.84	14.21	13.84	10.00	7.89	1.06		
SEK-413		3/8	3.59	4.39	4.75	4.65	3.16	3.09	9.87	-----	-----		
SEK-413S	3/8								9.20	7.94	0.63		
SEK-414		1/2	8.55	10.41	11.32	11.15	7.51	7.31	10.03	-----	-----		
SEK-414S	1/2		8.95	10.85	11.74	11.52	7.84	7.61	9.36	7.94	0.71		
SEK-415		5/8	9.95	12.06	13.05	12.84	8.74	8.54	10.46	-----	-----		
SEK-415S	5/8		13.98	17.02	18.41	18.18	12.3	12	9.28	7.94	0.67		
SEK-417S		7/8	16.66	20.35	22.01	21.6	14.78	14.35	9.91	8.02	0.94		
SEK-419S	1-1/8		22.75	27.78	30.25	29.41	20.14	19.51	10.37	8.02	1.17		
SEK-757S		7/8	18.25	22.22	24.15	23.65	16.15	15.62	15.46	13.65	0.91		
SEK-759S	1-1/8		26.8	32.87	35.41	34.84	23.7	23.01	15.92	13.65	1.14		

型号 MODEL	接口(英寸) CONNECTION(IN)		液体制冷量(冷吨) LIQUID FLOW CAPACITY(TONS)						A(IN)	B(IN)	D(IN)	E(IN)	F(IN)
	焊口 ODF	螺口 SAE	R134a	R12	R22 R-410a	R407c	R404a R-507	R502					
SAD-032		1/4	1.61	2.09	2.21	2.12	1.45	1.45	4.13	-----	-----		
SAD-032S	1/4		2.21	2.72	2.88	2.88	1.98	1.98	3.78	2.56	0.61	2.36	1.69
SAD-033		3/8	2.51	3.01	3.32	3.22	2.22	2.12	4.53	-----	-----		
SAD-033S	3/8		2.51	3.01	3.32	3.22	2.22	2.12	3.86	2.60	0.63		
SAD-052		1/4	1.72	2.12	2.32	2.22	1.52	1.52	4.86	-----	-----		
SAD-052S	1/4		2.72	3.32	3.62	3.52	2.42	2.31	4.55	3.33	0.61	3.13	
SAD-053		3/8	2.91	3.53	3.85	3.69	2.54	2.54	5.30	-----	-----		
SAD-053S	3/8		3.62	4.41	4.78	4.68	3.23	3.13	4.63	3.37	0.63		
SAD-082		1/4	1.89	2.31	2.28	2.45	1.69	1.58	5.63	-----	-----		
SAD-082S	1/4		2.55	3.12	3.46	3.34	2.23	2.23	5.28	4.06	0.61		
SAD-083		3/8	3.33	4.01	4.35	4.36	2.94	2.84	6.02	-----	-----		
SAD-083S	3/8		3.76	4.56	4.88	4.78	3.29	3.19	5.35	4.09	0.63		
SAD-084		1/2	5.56	6.75	7.32	7.13	4.96	4.76	6.18	-----	-----		
SAD-084S	1/2		5.88	7.12	7.74	7.55	5.12	5.07	5.42	4.17	0.62		
SAD-162		1/4	1.98	2.36	2.57	2.44	1.72	1.63	6.56	5.25	-----		
SAD-162S	1/4		2.55	3.12	3.45	3.32	2.19	2.19	6.19	-----	-----		
SAD-163		3/8	3.19	3.88	4.25	4.11	2.78	2.71	7.01	-----	-----		
SAD-163S	3/8		3.61	4.41	4.79	4.77	3.16	3.13	6.17	5.08	0.54		
SAD-164		1/2	5.88	7.14	7.81	7.77	5.23	5.12	7.17	-----	-----		
SAD-164S	1/2		7.10	8.50	9.22	9.01	6.21	6.02	6.23	5.16	0.54		
SAD-165		5/8	8.02	9.71	10.45	10.32	7.01	6.82	7.60	-----	-----		
SAD-165S	5/8		8.32	10.12	10.94	10.77	7.32	7.12	6.42	5.24	0.59		
SAD-167S		7/8	12.78	15.56	16.87	16.54	11.26	10.92	7.05	5.24	0.91		
SAD-303		3/8	3.61	4.34	4.71	4.61	3.16	3.11	9.51	-----	-----		
SAD-303S	3/8		5.23	6.36	6.87	6.78	4.63	4.45	8.84	7.58	0.63		
SAD-304		1/2	6.64	8.13	8.89	8.64	5.92	5.71	9.67	-----	-----		
SAD-304S	1/2		8.78	10.62	11.52	11.36	7.74	7.53	9.00	7.66	0.67		
SAD-305		5/8	8.78	10.69	11.56	11.35	7.74	7.54	10.10	-----	-----		
SAD-305S	5/8		10.32	12.51	13.52	13.33	9.12	8.84	9.23	7.74	0.75		
SAD-306		3/4							10.45	-----	-----		
SAD-306S	3/4		12.12	14.84	16.06	15.75	10.71	10.44	9.31	7.74	0.79		
SAD-307S		7/8	13.84	16.84	18.23	19.72	12.23	11.84	9.78	7.74	1.02		
SAD-309S	1-1/8		16.12	19.63	21.25	20.84	14.21	13.84	10.00	7.89	1.06		
SAD-413		3/8	3.59	4.39	4.75	4.65	3.16	3.09	9.87	-----	-----		
SAD-413S	3/8								9.20	7.94	0.63		
SAD-414		1/2	8.55	10.41	11.32	11.15	7.51	7.31	10.03	-----	-----		
SAD-414S	1/2		8.95	10.85	11.74	11.52	7.84	7.61	9.36	7.94	0.71		
SAD-415		5/8	9.95	12.06	13.05	12.84	8.74	8.54	10.46	-----	-----		
SAD-415S	5/8		13.98	17.02	18.41	18.18	12.3	12	9.28	7.94	0.67		
SAD-417S		7/8	16.66	20.35	22.01	21.6	14.78	14.35	9.91	8.02	0.94		
SAD-419S	1-1/8		22.75	27.78	30.25	29.41	20.14	19.51	10.37	8.02	1.17		

Частное предприятие "Юдипен-Холод" || +375296803378 || <https://купизапчасть.бел> || Минская обл. Минский р-н. Щомыслицкий с/с, 92/4

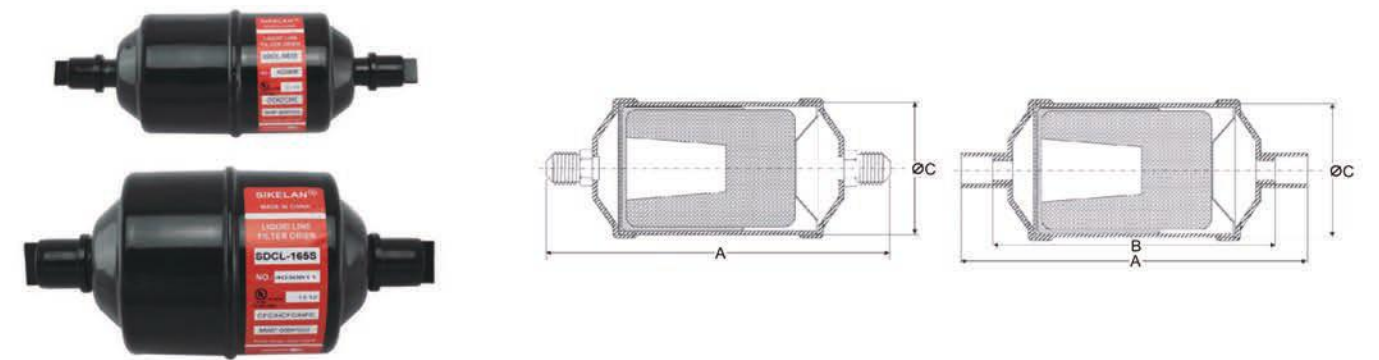
1.3 SDML 系列颗粒状液体管路用干燥过滤器
1.3 SDML SERIES MOLECULAR SIEVE LIQUID LINE FILTER-DRIER



该过滤器采用100%3A分子筛芯体，具有较大的干燥能力，从而使形成酸（水解）的危险减至最低程度。可以最佳的用于与POE和PAG油一起使用的HFC制冷剂（R134A,R404A,R410A等）可以与R22兼容。

We use 100% 3A molecular sieve core in the filter drier, with strong drying capability to reduce the risk of hydrolyze acid reaction. It can be used with HFC refrigerant (R134A, R404A, R410A) with POE and PAG oil together. This product is also an additive, compatible with R22 without consuming oil.

1.4 SDCL 系列模制芯体液体管路用干燥过滤器
1.4 SDCL SERIES SOLID CORE LIQUID LINE FILTER-DRIER



该过滤器采用80%3A分子筛和20%活性铝，对运行在高冷凝温度和需要大的干燥能力的系统是完美的芯体混合物。可以最佳地用于用于燃油和烷基苯油一起使用的CFC和HCFC制冷剂（R22,R502等）可以与HFC及制冷剂兼容。

This filter drier uses 80% 3A molecular sieve core and 20% active aluminum inside, it is a perfect core mixture for the equipment system which has strong drying requirement and work under lowest frozen temperature. It has a best result to apply to refrigeration of CFC & HCFC(R22, R502) using with the petrol and ALKY-phenyl oil.

◆ 特征 / Feature:

- 不会消耗油的添加剂
- 接头形式有ODF或SAE
- 耐腐蚀喷塑
- 适用多种制冷剂R-12, R-134a,R-22, R-404A, R-407C, R-410A, R-500, R-502, R-507
- 最大工作压力: 4.70Mpa/680Psig, 通过了UL和CE认证
- Additives without consuming oil
- Joint type: ODF or SAE
- Corrosive resistance molded
- For a variety of refrigerant R-12, R-134a, R-22, R-404A, R-407C, R-410A, R-500, R-502, R-507
- Maximum working pressure: 4.70Mpa/680Psig, with the UL and CE certification

型号 MODEL	接口(英寸) CONNECTION (IN)	液体制冷量(冷吨) LIQUID FLOW CAPACITY(TONS)			吸水量(磅) DRYING CAPACITY (LBS)			分子填充量 (CU.IN) DESICCANT (CU.IN)	A(IN)	B(IN)	C(IN)
		R134a	R404a	R22	R134a	R404A	R22				
			R507	R407C	R507		R407C				
SDML-032	1/4SAE	2	1.5	2	15	24	14.5	3	4.41	2.76	2.13
SDML-032S	1/4ODF								3.99		
SDML-033	3/8SAE	5	3.5	5.5					4.84		
SDML-033S	3/8ODF				4.15	2.76					
SDML-052	1/4SAE	2	1.5	2	19	28.5	17.5	5	4.76	2.95	2.13
SDML-052S	1/4ODF								4.35		
SDML-053	3/8SAE	5	4	5.5					4.84		
SDML-053S	3/8ODF				4.5	2.95					
SDML-082	1/4SAE	2	1.5	2	27.5	44	27.5	8	5.37	3.98	2.13
SDML-082S	1/4ODF								6.22		
SDML-083	3/8SAE	5.5	4	6					5.45	3.98	
SDML-083S	3/8ODF				6.38						
SDML-084	1/2SAE	7.5	5.5	8	59.5	96	59.5	16	5.51	3.98	3.00
SDML-084S	1/2ODF								5.37	3.98	
SDML-162	1/4SAE	2	1.5	2					6.42		
SDML-162S	1/4ODF				5.97	4.8					
SDML-163	3/8SAE	6	4.5	6.5	59.5	96	59.5	16	6.85		3.00
SDML-163S	3/8ODF								6.24	4.8	
SDML-164	1/2SAE	18.5	6	9					7		
SDML-164S	1/2ODF				6.3	4.8					
SDML-165	5/8SAE	12	8.5	13.5	59.5	96	59.5	16	7.32		3.00
SDML-165S	5/8ODF								6.56	4.8	
SDML-167S	7/8ODF	12	8.5	13.5					7.13	4.8	
SDML-303	3/8SAE	6	4.5	6.5	126	204	126	30	9.61		3.00
SDML-303S	3/8ODF								9	8.13	
SDML-304	1/2SAE	8.5	6	9.5					9.88		
SDML-304S	1/2ODF				9.06	8.06					
SDML-305	5/8SAE	12.5	9	14	126	204	126	30	10.31		3.00
SDML-305S	5/8ODF								9.31	8.06	
SDML-306S	3/4ODF	16.5	12	18.5					9.68	8.43	
SDML-307S	7/8ODF	16.5	12	18.5	9.88	8.38					
SDML-309S	1-1/8ODF	17.5	12.5	19	10.43	8.5					

◆ 特征 / Feature:

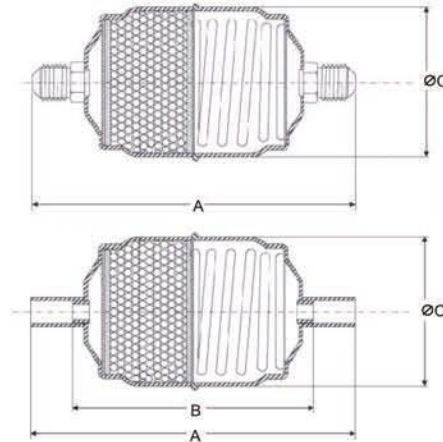
- 接头形式有ODF和SAE
- 耐腐蚀喷塑
- 适用多种制冷剂R-12, R-134a,R-22, R-404A, R-407C, R-410A, R-500, R-502, R-507
- 最大工作压力: 4.70Mpa/680Psig, 通过了UL和CE认证
- Joint type: ODF or SAE
- Corrosive resistance mold
- For a variety of refrigerant R-12, R-134a, R-22, R-404A, R-407C, R-410A, R-500, R-502, R-507
- Maximum working pressure: 4.70Mpa/680Psig, with the UL and CE certification

型号 MODEL	接口(英寸) CONNECTION (IN)	液体制冷量(冷吨) LIQUID FLOW CAPACITY(TONS)			吸水量(磅) DRYING CAPACITY (LBS)			分子填充量 (CU.IN) DESICCANT (CU.IN)	A(IN)	B(IN)	C(IN)
		R134a	R404a	R22	R134a	R404A	R22				
			R507	R407C	R507		R407C				
SDCL-032	1/4SAE	2	1.5	2	12	19	11	3	4.41	2.76	2.13
SDCL-032S	1/4ODF								3.99		
SDCL-033	3/8SAE	5	3.5	5.5					4.84		
SDCL-033S	3/8ODF				4.15	2.76					
SDCL-052	1/4SAE	2	1.5	2	14.5	23	13.5	5	4.76	2.95	2.13
SDCL-052S	1/4ODF								4.35		
SDCL-053	3/8SAE	5	4	5.5					4.84		
SDCL-053S	3/8ODF				4.5	2.95					
SDCL-082	1/4SAE	2	1.5	2	22	33.5	21	8	5.37	3.98	2.13
SDCL-082S	1/4ODF								6.22		
SDCL-083	3/8SAE	5.5	4	6					5.45	3.98	
SDCL-083S	3/8ODF				6.38						
SDCL-084	1/2SAE	7.5	5.5	8	59.5	96	59.5	16	5.51	3.98	3.00
SDCL-084S	1/2ODF								5.37	3.98	
SDCL-162	1/4SAE	2	1.5	2					6.42		
SDCL-162S	1/4ODF				5.97	4.8					
SDCL-163	3/8SAE	6	4.5	6.5	59.5	96	59.5	16	6.85		3.00
SDCL-163S	3/8ODF								6.24	4.8	
SDCL-164	1/2SAE	18.5	6	9					7		
SDCL-164S	1/2ODF				6.3	4.8					
SDCL-165	5/8SAE	12	8.5	13.5	59.5	96	59.5	16	7.32		3.00
SDCL-165S	5/8ODF								6.56	4.8	
SDCL-167S	7/8ODF	12	8.5	13.5					7.13	4.8	
SDCL-303	3/8SAE	6	4.5	6.5	126	204	126	30	9.61		3.00
SDCL-303S	3/8ODF								9	8.13	
SDCL-304	1/2SAE	8.5	6	9.5					9.88		
SDCL-304S	1/2ODF				9.06	8.06					
SDCL-305	5/8SAE	12.5	9	14	126	204	126	30	10.31		3.00
SDCL-305S	5/8ODF								9.31	8.06	
SDCL-306S	3/4ODF	16.5	12	18.5					9.68	8.43	
SDCL-307S	7/8ODF	16.5	12	18.5	9.88	8.38					
SDCL-309S	1-1/8ODF	17.5	12.5	19	10.43	8.5					

Частное предприятие "Юдипен-Холод" || +375296803378 || <https://купизапчасть.бел> || Минская обл., Минский р-н, Щомыслицкий с/с, 92/4

Частное предприятие "Юдипен-Холод" || +375296803378 || <https://купизапчасть.бел> || Минская обл., Минский р-н, Щомыслицкий с/с, 92/4

1.5 SG系列颗粒状液体管路用干燥过滤器
1.5 SG SERIES MOLECULAR SIEVE LIQUID LINE FILTER-DRIER



SG系列干燥过滤器采用分子筛和珠状活性铝的混合物制成，这种混合型干燥剂具有卓越的吸水性。

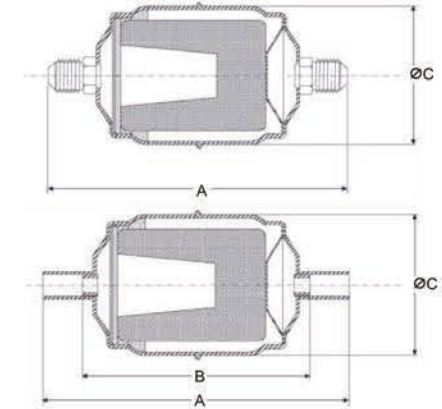
SG series filter driers adopt the mixture of molecular sieve and pearl-shaped active aluminum which is very absorbent.

◆ 特征 / Feature:

- 过滤能力强
- 可为系统提供极佳的保护
- 使系统免受各种固态污物的侵害
- 适用于: R12, R22和R502空调系统
- 接头形式有ODF或SAE
- 适用多种制冷剂R-12, R-134a,R-22, R-404A, R-407C, R-410A, R-500, R-502, R-507
- 最大工作压力: 4.70Mpa/680Psig, 通过了UL和CE认证
- High filtering ability
- Perfect protection for the system
- Protect the system from presence of various solid pollutants
- Suitable for such air conditioning systems with R12, R22 and R502
- Two kinds of connection methods: ODF or SAE
- For a variety of refrigerant R-12, R-134a, R-22, R-404A, R-407C, R-410A, R-500, R-502, R-507
- Maximum working pressure:4.70Mpa/680Psig, with the UL and CE certification

型号 MODEL	接口(英寸) CONNECTION (IN)		选择推荐值 千瓦(冷吨) ADVISING CAPACITY KW (TONS)	水容量(点滴数, 60PPM 时) WATER SUCTION (60PPM HOUR)		R22制冷剂流过能 力在压差0.14巴 REFRIGERANT FLOW RATE WHEN PRESSURE DROP IS 0.14 BAR	壳体尺寸 BODY SIZE(IN)		
	ODF 焊口	SAE 螺口		R22	24℃		52℃	A(IN)	B(IN)
SG-032		1/4	3.5(1)	44	39	10.6	4.29	2.87	1.69
SG-032S	1/4								
SG-033		3/8	7.0(2)	71	62	19.8	4.72	2.87	
SG-033S	3/8								
SG-052		1/4	5.3(1-1/2)	71	62	10.9	4.65	3.23	2.44
SG-052S	1/4								
SG-053		3/8	10.6(3)	221	197	21.1	5.08	3.23	
SG-053S	3/8								
SG-083		3/8	12.3(3-1/2)	221	197	5.94	5.19	4.09	2.6
SG-083S	3/8								
SG-084S	1/2		14.1(4)	221	197	40.1	5.28	4.09	
SG-163		3/8							
SG-163S	3/8		26.4(7-1/2)	418	373	40.4	7.01	4.96	2.91
SG-164		1/2							
SG-164S	1/2		35.2(10)	418	373	44.3	5.94	4.96	
SG-165S	5/8								
SG-304S	1/2		52.8(15)	418	373	54.2	9.02	7.95	3.00
SG-305S	5/8								
SG-307S	7/8		108	418	373	82.6	9.25	7.95	
SG-307S	7/8								

1.6 S系列模制芯液体管路用干燥过滤器
1.6 S SERIES SOLID CORE LIQUID LINE FILTER-DRIER



该过滤干燥器受到广泛认可，其原因是它采用一种高度有效的干燥剂的混合物制成独特的多孔模制滤芯。

This filter is recognized widely for the reason of using multiple hole mold filter core made of the mixture mixed by a high effective drier.

◆ 特征 / Feature:

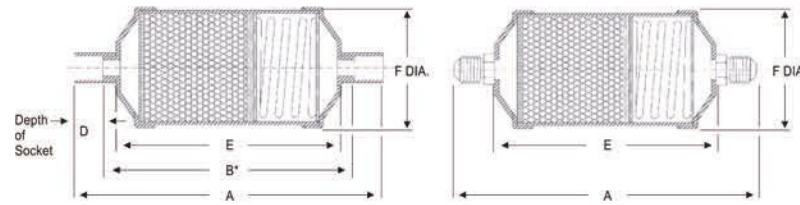
- 吸水能力强
- 能滤除氧化物，焊渣，炭粒，油泥，杂质和任何其他杂物
- 不可超越的除酸能力，能吸附氢氟酸，氢氟酸，和各种有机酸，并能象吸附水一样把它们吸住
- 特殊的多孔模制滤芯还可除去蜡质
- 耐腐蚀喷漆
- 接头形式有ODF或SAE
- 适用多种制冷剂R-12, R-134a,R-22, R-404A, R-407C, R-410A, R-500, R-502, R-507
- 最大工作压力: 4.70Mpa/680Psig, 通过了UL和CE认证
- Strong water absorbing ability
- Eliminate oxide, residue of welding, coal granule, oil block, impurity and others
- Super strong ability of acid removal, like absorbing water, can also absorb hydrofluoric acid and other various organic acid
- Specific multiple-hole molded filter cores can remove wax also
- Corrosive resistance painting
- Two kinds of connection methods:ODF or SAE
- For a variety of refrigerant R-12, R-134a, R-22, R-404A, R-407C, R-410A, R-500, R-502, R-507
- Maximum working pressure: 4.70Mpa/680Psig, with the UL and CE certification

型号 MODEL		接口(英寸) CONNECTION (IN)	除湿容积M ² VOLUME OF DESICCANT (M ²)	总长(毫米) TOTAL LENGTH(IN)A		A钎焊套管深度(毫米) SOLDER SOCKET DEPTH (MM)	壳体直径(毫米) BODY DIAMETER (MM) φC
SAE 螺口	ODF 焊口			SAE 螺口	ODF 焊口		
S-032	S-032S	1/4	49	4.17	3.82	0.36	1.69
S-033	S-033S	3/8		4.69	3.9	0.43	
S-052	S-052S	1/4		4.76	4.17	0.39	
S-053	S-053S	3/8	82	5.2	4.29	0.43	2.44
S-082	S-082S	1/4		5.63	5.12	0.39	
S-083	S-083S	3/8		6.06	5.24	0.43	
S-084	S-084S	1/2	147	6.3	5.43	0.51	2.6
S-162	S-162S	1/4		6.26	5.75	0.39	
S-163	S-163S	3/8		6.73	5.87	0.43	
S-164	S-164S	1/2	262	6.93	5.98	0.51	2.91
S-165	S-165S	5/8		7.24	6.3	0.63	
	S-167S	7/8			6.93	0.75	
S-303	S-303S	3/8	492	9.69	8.9	0.43	3
S-304	S-304S	1/2		9.88	9.02	0.51	
S-305	S-305S	5/8		10.2	9.25	0.63	
	S-306S	3/4	672	9.65	8.9	0.63	3.5
	S-307S	7/8		9.8	9.02	0.75	
	S-309S	1-1/8		9.76	9.02	0.94	
S-413		3/8	672	9.57		--	3.5
S-414	S-414S	1/2		9.92	9.06	0.51	
S-415	S-415S	5/8		10.24	9.33	0.63	
	S-417S	7/8	672	9.8	9.06	0.75	3.5
	S-419S	1-1/8		9.76	9.06	0.94	

Частное предприятие "Юдипен-Холод" || +375296803378 || <https://купизапчасть.бел> || Минская обл., Минский р-н, Щомыслицкий с/с, 92/4

Частное предприятие "Юдилен-Холод" || +375296803378 || <https://купизапчасть.бел> || Минская обл., Минский р-н, Щомыслицкий с/с, 92/4

1.7 SEK/P系列颗粒状液体管路用干燥过滤器
1.7 SEK / P SERIES MOLECULAR SIEVE LIQUID LINE FILTER-DRIER



SEK/P系列颗粒状液体管路用干燥过滤器，专用于R410系统，采用了高品质的压缩球形干燥剂XH-11，混合型：80%分子筛和20%活性氧化铝的优良比例，能够完美的吸附系统内的水分和酸等有害物质，并且在筒体内经过自动压缩与高密度滤网结合，达到干燥、吸酸、过滤的作用，能有效过滤系统中残留的水份、酸和杂物。

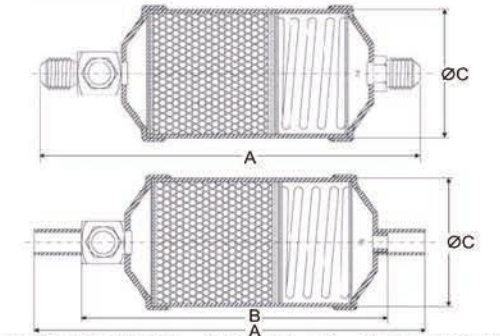
SEK / P series molecular sieve liquid line filter-drier, dedicated to R410 system, using a high-quality compressed spherical desiccant XH-11, mixed: 80% molecular sieve and 20% active alumina, with good proportion, unsurpassed moisture and acid and other harmful substances from the system. And in body through the automatic compression and high-density filter combination, to dry, smoke acid, filtering effect, the system can effectively filter residues water, acid and debris.

◆ 特征 / Feature:

- 自动压缩装置使磨损的分子筛得到自动填充
- 具有能溶解水和酸等污染物的能力
- 干燥剂: XH-11, 混合型: - 80% 分子筛和20% 活性氧化铝
- 干燥和过滤相结合的作用
- 过滤密度: 20微米 (microns)
- 环氧粉末喷涂, 烟雾实验达500小时以上
- 接口形式有SAE和ODF, 为了用户能够方便焊接ODF的采用TP2铜管预留
- 适用多种制冷剂R-12, R-134a, R-22, R-404A, R-407C, R-410A, R-500, R-502, R-507
- 最大工作压力: 4.7Mpa/680Psig, 通过了UL和CE认证
- The automatic compressing device makes it possible to automatically fill in the worn molecules
- Capable of dissolving pollutants such as moisture and acid
- Desiccant: XH-11, mixed type: 80% molecular sieve core and 20% active aluminum
- Combination of drying and filtration
- Filter density: 20 microns
- Powder paint exterior coating surpasses 500 hour salt spray test
- Connector type: SAE and ODF. Reserved TP2 copper tube for the convenience of our customers welding ODF
- For a variety of refrigerant R-12, R-134a, R-22, R-404A, R-407C, R-410A, R-500, R-502, R-507
- Maximum working pressure: 4.7Mpa/680Psig, approved by UL and CE certification

型号 MODEL	接口(英寸) CONNECTION (IN)		液体制冷量(冷吨) LIQUID FLOW CAPACITY(TONS)						A(IN)	B(IN)	D(IN)	E(IN)	F(IN)
	焊口 ODF	螺口 SAE	R134a	R12	R22 R-410a	R407c	R404a R-507	R502					
SEK-032/P	1/4	1/4	1.61	2.09	2.21	2.12	1.45	1.45	4.13	-----	-----	2.36	1.69
SEK-032S/P	1/4	1/4	2.21	2.72	2.88	2.88	1.98	1.98	3.78	2.56	0.61		
SEK-033/P	3/8	3/8	2.51	3.01	3.32	3.22	2.22	2.12	4.53	-----	-----	3.13	1.69
SEK-033S/P	3/8	3/8	2.51	3.01	3.32	3.22	2.22	2.12	3.86	2.60	0.63		
SEK-052/P	1/4	1/4	1.72	2.12	2.32	2.22	1.52	1.52	4.86	-----	-----	3.13	1.69
SEK-052S/P	1/4	1/4	2.72	3.32	3.62	3.52	2.42	2.31	4.55	3.33	0.61		
SEK-053/P	3/8	3/8	2.91	3.53	3.85	3.69	2.54	2.54	5.30	-----	-----	3.86	2.50
SEK-053S/P	3/8	3/8	3.62	4.41	4.78	4.68	3.23	3.13	4.63	3.37	0.63		
SEK-082/P	1/4	1/4	1.89	2.31	2.28	2.45	1.69	1.58	5.63	-----	-----	4.84	3.00
SEK-082S/P	1/4	1/4	2.55	3.12	3.46	3.34	2.23	2.23	5.28	4.06	0.61		
SEK-083/P	3/8	3/8	3.33	4.01	4.35	4.36	2.94	2.84	6.02	-----	-----	4.84	3.00
SEK-083S/P	3/8	3/8	3.76	4.56	4.88	4.78	3.29	3.19	5.35	4.09	0.63		
SEK-084/P	1/2	1/2	5.56	6.75	7.32	7.13	4.96	4.76	6.18	-----	-----	7.34	3.00
SEK-084S/P	1/2	1/2	5.88	7.12	7.74	7.55	5.12	5.07	5.42	4.17	0.62		
SEK-163/P	3/8	3/8	3.19	3.88	4.25	4.11	2.78	2.71	7.01	-----	-----	7.71	3.50
SEK-163S/P	3/8	3/8	3.61	4.41	4.79	4.77	3.16	3.13	6.17	5.08	0.54		
SEK-164/P	1/2	1/2	5.88	7.14	7.81	7.77	5.23	5.12	7.17	-----	-----	13.26	8.83
SEK-164S/P	1/2	1/2	7.10	8.50	9.22	9.01	6.21	6.02	6.23	5.16	0.54		
SEK-165/P	5/8	5/8	8.02	9.71	10.45	10.32	7.01	6.82	7.60	-----	-----	13.26	8.83
SEK-165S/P	5/8	5/8	8.32	10.12	10.94	10.77	7.32	7.12	6.42	5.24	0.59		
SEK-167S/P	7/8	7/8	12.78	15.56	16.87	16.54	11.26	10.92	7.05	5.24	0.91	13.26	8.83
SEK-303/P	3/8	3/8	3.61	4.34	4.71	4.61	3.16	3.11	9.51	-----	-----		
SEK-303S/P	3/8	3/8	5.23	6.36	6.87	6.78	4.63	4.45	8.84	7.58	0.63	13.26	8.83
SEK-304/P	1/2	1/2	6.64	8.13	8.89	8.64	5.92	5.71	9.67	-----	-----		
SEK-304S/P	1/2	1/2	8.78	10.62	11.52	11.36	7.74	7.53	9.00	7.66	0.67	13.26	8.83
SEK-305/P	5/8	5/8	8.78	10.69	11.56	11.35	7.74	7.54	10.10	-----	-----		
SEK-305S/P	5/8	5/8	10.32	12.51	13.52	13.33	9.12	8.84	9.23	7.74	0.75	13.26	8.83
SEK-306/P	3/4	3/4	12.12	14.84	16.06	15.75	10.71	10.44	10.45	-----	-----		
SEK-306S/P	3/4	3/4	13.84	16.84	18.23	19.72	12.23	11.84	9.31	7.74	0.79	13.26	8.83
SEK-307S/P	7/8	7/8	16.12	19.63	21.25	20.84	14.21	13.84	10.00	7.89	1.06		
SEK-413/P	3/8	3/8	3.59	4.39	4.75	4.65	3.16	3.09	9.87	-----	-----	13.26	8.83
SEK-413S/P	3/8	3/8	8.55	10.41	11.32	11.15	7.51	7.31	10.03	-----	-----		
SEK-414/P	1/2	1/2	8.95	10.85	11.74	11.52	7.84	7.61	9.36	7.94	0.71	13.26	8.83
SEK-414S/P	1/2	1/2	9.95	12.06	13.05	12.84	8.74	8.54	10.46	-----	-----		
SEK-415/P	5/8	5/8	13.98	17.02	18.41	18.18	12.3	12	9.28	7.94	0.67	13.26	8.83
SEK-415S/P	5/8	5/8	16.66	20.35	22.01	21.6	14.78	14.35	9.91	8.02	0.94		
SEK-417S/P	1-1/8	1-1/8	22.75	27.78	30.25	29.41	20.14	19.51	10.37	8.02	1.17	13.26	8.83
SEK-419S/P	7/8	7/8	18.25	22.22	24.15	23.65	16.15	15.62	15.46	13.65	0.91		
SEK-757S/P	1-1/8	1-1/8	26.8	32.87	35.41	34.84	23.7	23.01	15.92	13.65	1.14	13.26	8.83
SEK-759S/P	1-1/8	1-1/8	26.8	32.87	35.41	34.84	23.7	23.01	15.92	13.65	1.14		

1.8 SEG系列带视液镜管用干燥过滤器
1.8 SEG SERIES LIQUID LINE FILTER DRIER WITH SIGHT GLASS



SEG系列带视液镜管用干燥过滤器，在过滤器出口直接焊有一个视液镜。该过滤器采用3A分子筛，能有效吸收水份、CFC、HCFC以及HFC制冷剂。过滤介质能将小至10微米的杂质从制冷剂中分离出去，以免造成喷嘴管道的堵塞。该组合装置减少焊接面积，节约了时间，降低了潜在的渗漏可能。可以使技术人员观察到制冷剂在系统中的现状，帮助鉴定供电系统是否有不良气流通过冷凝器管路，可避免不正常压力降引起的制冷剂气泡现象。视液镜内置一个指示器，提供易分辨的绿色和黄色指示器来监控制冷剂中的水份含量，并提示是否需要更换的服务。

The SEG series liquid line filter drier/sight glass combination is a liquid line filter drier with a sight glass brazed directly to the outlet side of the filter drier. The filter drier is designed with 3A molecular sieve desiccant for excellent moisture adsorption with CFC, HCFC and HFC refrigerants. The filter media will remove small particles down to 10 microns in size from the refrigerant to help prevent plugging orifices and tubes. The pre-assembled combination reduces the amount of field brazing required, saving both time and reducing the potential for leaks. This sight glass allows the technician to see the refrigerant in its current state, helping to identify poorly charged systems with poor airflow across the condenser coil or systems, with unusual pressure drop causing the refrigerant to "flash" and produce bubbles in the liquid line. The sight glass has a built-in moisture indicator which provides visual color change from green to yellow in response to the moisture content of the refrigerant, indicating the serve of change need.

The SEG filter drier/ sight glass combination is available in flare or solder, inch or mm sizes, making it possible to meet a wide variety of system requirements. Other connection styles are available on special request.

◆ 特征 / Feature:

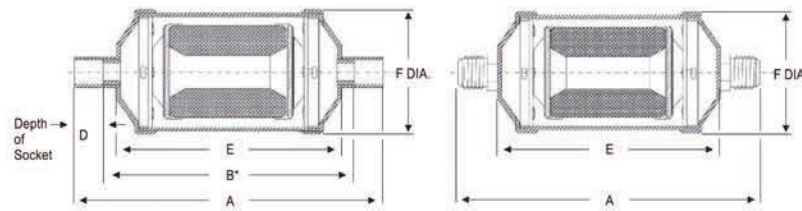
- 过滤器与视液镜的组合，方便安装
- 购买组合装置比多个购买单个配件更便宜
- 安装时间减少
- 接口少，防漏功能更强
- 垫圈，弹簧装置
- 良好的吸水能力
- 低压降
- 过滤能力低至10微米
- 大的扳台，护口管接头
- 适用多种制冷剂R-12, R-134a, R-22, R-404A, R-407C, R-410A, R-500, R-502, R-507
- 最大工作压力: 4.70Mpa/680Psig, 通过了UL和CE认证
- Filter drier and sight glass with moisture indicator in one compact, easy-to-install unit
- Less expensive than purchasing both units separately
- Little installing time
- Fewer connections reduce the opportunity for leaks
- Compacted gasket, spring loaded design
- Excellent moisture removal capacity
- Low pressure drop
- Filtration down to 10 microns
- Large wrench flats on flare fittings
- For a variety of refrigerant R-12, R-134a, R-22, R-404A, R-407C, R-410A, R-500, R-502, R-507
- Maximum working pressure: 4.70Mpa/680Psig, with the UL and CE certification

型号 MODEL	接口(英寸) CONNECTION (IN)		容积(CU. IN) VOLUME(CU. IN)	外形尺寸 DIMENSION (IN)		
	ODF焊口	SAE螺口		A(IN)	B(IN)	C(IN)
SEG-052		1/4	5	5.8		
SEG-053		3/8	5	6.18		
SEG-053s	3/8		5	5.92	4.54	
SEG-082		1/4	8	6.55		
SEG-083		3/8	8	6.93		
SEG-083s	3/8		8	6.66	5.29	
SEG-084		1/2	8	7.08		
SEG-084s	1/2		8	6.73	5.29	
SEG-162		1/4	16	7.53		
SEG-163		3/8	16	7.91		
SEG-163s	3/8		16	7.65	6.27	2.5
SEG-164		1/2	16	8.06		
SEG-164s	1/2		16	7.71	6.27	
SEG-165		5/8	16	8.31		
SEG-165s	5/8		16	8.04	6.27	
SEG-303		3/8	30	10.47		
SEG-304		1/2	30	10.62		
SEG-304s	1/2		30	10.27	8.83	
SEG-305s	5/8		30	10.6	8.83	

Частное предприятие "Юдилен-Холод" || +375296803378 || <https://купизапчасть.бел> || Минская обл., Минский р-н, Щомыслицкий с/с, 92/4

Частное предприятие "Юдипен-Холод" || +375296803378 || <https://купизапчасть.бел> || Минская обл., Минский р-н, Щомыслицкий с/с, 92/4

1.9 SFK系列双向热泵液体管路用干燥过滤器
1.9 SFK SERIES BI-FLOW LIQUID LINE FILTER DRIER



SFK系列双向热泵液体管路用干燥过滤器，采用了高品质的压缩小颗粒球形干燥剂烧结成的模块，与高密度滤网布结合，两端各安装了一个不可逆流的阀，可在逆向时拦截赃物，达到干燥过滤的作用，能有效过滤系统中残留的水份和杂质。

SFK series Bi-Flow liquid line filter-drier, using high-quality compression of small spherical particles sintered desiccant module, combined with high-density filter mesh, each end of the installation of a non-reflux valve can reverse impurities, to the role of drying filter, that can effectively filter residual water and debris in the system.

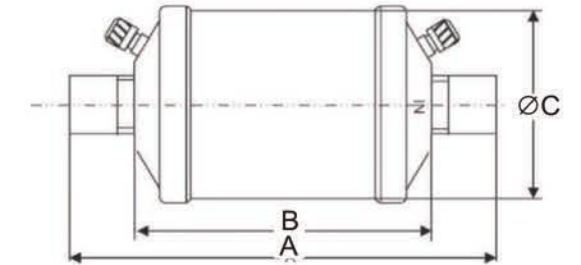
◆ 特征 / Feature:

- 高强度小颗粒球形干燥剂烧结成的模块，使得运行时无震动和摩擦，减少干燥剂的磨损
- 具有能溶解水和酸等污染物的能力。
- 干燥和过滤相结合的作用，两端各安装了一个不可逆流的阀，双向运转均可拦截赃物
- 过滤密度：20微米（microns）
- 以最小的压力降设计，使得系统在运行时更好的发挥能效比
- 环氧粉末喷涂，烟雾实验达500小时以上
- 接口形式有SAE和ODF，为了用户能够方便焊接ODF的采用TP2铜管预留
- 适用多种制冷剂R-12, R-134a, R-22, R-404A, R-407C, R-410A, R-500, R-502, R-507等
- 最大工作压力：4.7Mpa/680Psig，通过了UL和CE认证

- Small spherical particles of high strength sintered desiccant module, to make run-time without shock and friction, reduce wear of the desiccant
- High moisture and acid removal capacity
- Drying and filtering effect of combining, both ends of the installation of a non-reflux valve, two-way operation can intercept stolen goods
- Filtration: 20 microns
- With minimum pressure drop design allows the system to play better energy efficiency in the run-time
- Corrosion resistant epoxy powder paint finish, salt spray test above 500 hours
- Two kinds of connection methods: ODF and SAE; in order to facilitate welding, ODF adoption of TP2 copper reserve.
- For a variety of refrigerant R-12, R-134a, R-22, R-404A, R-407C, R-410A, R-500, R-502, R-507 ect
- Maximum working pressure: 4.7Mpa/680Psig, with the UL and CE certification

型号 MODEL	接口(英寸) CONNECTION (IN)		液体制冷量(冷吨) FLOW CAPACITY(TONS)			A(IN)	B(IN)	D(IN)	E(IN)	F(IN)
	ODF 焊口	SAE 螺口	R-22	R-410A	R-407C					
SFK-052		1/4	1.6	1.6	1.6	5.06				
SFK-052S	1/4		2.2	2.2	2.2	4.74	3.52	0.61		3.33
SFK-053		3/8	4.4	4.4	4.3	5.49				
SFK-053S	3/8		4.0	4.0	3.9	4.82	3.56	0.63		
SFK-082		1/4	1.7	1.7	1.7	5.83				2.50
SFK-082S	1/4		2.5	2.5	2.4	5.47	4.25	0.61		
SFK-083		3/8	4.5	4.5	4.4	6.22				4.06
SFK-083S	3/8		5.1	5.1	5.0	5.55	4.29	0.63		
SFK-084		1/2	6.4	6.4	6.3	6.38				
SFK-084S	1/2		8.1	8.1	7.9	5.61	4.37	0.62		
SFK-163		3/8	4.6	4.6	4.5	6.59				
SFK-163S	3/8		5.2	5.2	5.1	5.75	4.67	0.54		
SFK-164		1/2	7.7	7.7	7.6	6.75				
SFK-164S	1/2		8.1	8.1	7.9	5.81	4.74	0.54		4.43
SFK-165		5/8	8.3	8.3	8.1	7.19				
SFK-165S	5/8		8.7	8.7	8.5	6.00	4.82	0.59		
SFK-167S	7/8		15.7	15.7	15.4	6.87	4.82	1.02		
SFK-303		3/8	4.8	4.8	4.6	9.51				
SFK-303S	3/8		5.8	5.8	5.7	8.84	7.58	0.63		3.00
SFK-304		1/2	7.6	7.6	7.5	9.67				
SFK-304S	1/2		9.7	9.7	9.5	9.00	7.66	0.67		
SFK-305		5/8	10.3	10.3	10.1	10.10				7.34
SFK-305S	5/8		14.2	14.2	13.9	9.23	7.74	0.75		
SFK-306		3/4	12.0	12.0	11.7	10.45				
SFK-306S	3/4		16.0	16.0	15.7	9.31	7.74	0.79		
SFK-307S	7/8		16.7	16.7	16.4	9.78	7.74	1.02		
SFK-309S	1-1/8		19.7	19.7	19.4	10.00	7.89	1.06		

1.10 SFX系列吸气管路用过滤器
1.10 SFX SERIES SUCTION LINE FILTER-DRIER



SFX系列吸气管路用过滤器，采用了高密度的滤芯能有效的过滤系统内的杂质，安装在系统的末端，对于压缩机的最终端的保护。

SFX series suction line filter-drier, using high-density filter can effectively filter impurities, installed in the end of the system, for the terminals to protect the compressor.

◆ 特征 / Feature:

- 采用了高密度的滤芯能有效的过滤系统内的杂质
- 进口和出口端设计了两个检修口，方便测出流经过滤器时的压力降，从而能快速判断系统是否正常
- 干燥和过滤相结合的作用
- 过滤密度：20微米（microns）
- 大管口的设计，能将压力降减小到最低限度
- 环氧粉末喷涂，烟雾实验达500小时以上
- 为了用户能够方便焊接ODF的采用TP2铜管预留
- 适用多种制冷剂R-12, R-134a, R-22, R-404A, R-407C, R-410A, R-500, R-502, R-507
- 最大工作压力：4.7Mpa/680Psig，通过了UL和CE认证

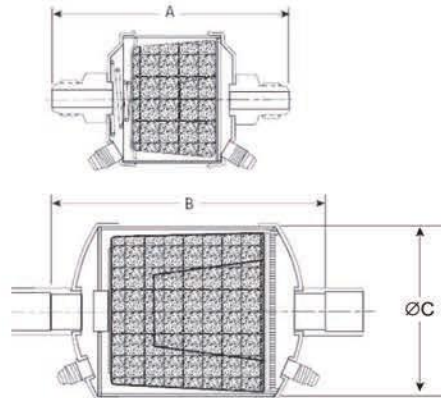
- Using high-density filter can effectively filter impurities
- Import and export terminal of the two access doors to facilitate measured the pressure drop when it flow through the filter, which can quickly determine whether the system is normal
- Drying and filtering effect of combining
- Filtration: 20 microns
- Pipe mount design, that can reduce to a minimum pressure drop
- Corrosion resistant epoxy powder paint finish, salt spray test above 500 hours
- In order to facilitate welding, ODF adoption of TP2 copper reserve.
- For a variety of refrigerant R-12, R-134a, R-22, R-404A, R-407C, R-410A, R-500, R-502, R-507
- Maximum working pressure: 4.7Mpa/680Psig, with the UL and CE certification

型号 MODEL	接口(英寸) CONNECTION (IN)	A	B	φC
SFX-283T	3/8	6.14	4.64	
SFX-284T	1/2	6.14	4.64	
SFX-285T	5/8	6.14	4.64	
SFX-286T	3/4	7.71	5.74	3.5
SFX-287T	7/8	8.18	5.74	
SFX-289T	1-1/8	8.30	6.10	
SFX-2811T	1-3/8	10.70	7.83	
SFX-2813T	1-5/8	11.06	8.22	

Частное предприятие "Юдипен-Холод" || +375296803378 || <https://купизапчасть.бел> || Минская обл., Минский р-н, Щомыслицкий с/с, 92/4

Частное предприятие "Юдипен-Холод" || +375296803378 || https://купизапчасть.бел || Минская обл., Минский р-н, Щомыслицкий с/с, 92/4

1.11 SFD系列模制芯体吸气管路用干燥过滤器
1.11 SFD SERIES SOLID CORE SUCTION LINE FILTER DRIER



SFD系列模制芯体吸气管路用干燥过滤器，采用了高品质的压缩小颗粒球形干燥剂烧结成的模块，与高密度滤网结合，达到干燥过滤的作用，能有效过滤系统中残留的水份和杂质，大直径外壳和更大的滤芯，它能提供更大的过滤面积并减小压力降。

SFD series solid core suction line filter drier, using high-quality compression of small spherical particles sintered desiccant module, combined with high density filter mesh, for drying and filtration. It can effectively filter system residues of water and debris. Large diameter shell and bigger core can provide bigger filter area and reduce the pressure drop.

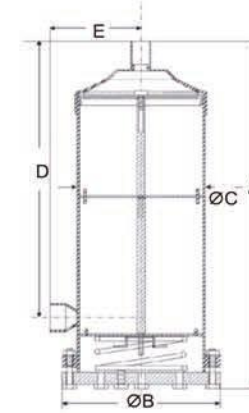
◆ 特征 / Feature:

- 高强度小颗粒球形干燥剂烧结成的模块，使得运行时无震动和摩擦，减少干燥剂的磨损
- 具有能溶解水和酸等污染物的能力
- 干燥和过滤相结合的作用
- 进口和出口端设计了两个检修口，方便测出流经过滤器时的压力降
- 过滤密度：20微米（microns）
- 大管口的设计能将压力降减小到最低限度
- 环氧粉末喷涂，烟雾实验达500小时以上
- 接口形式有SAE和ODF，为了用户方便焊接ODF的采用TP2铜管预留
- 适用多种制冷剂R-12, R-134a, R-22, R-404A, R-407C, R-410A, R-500, R-502, R-507等
- 最大工作压力：3.5Mpa/500Psig

- Small spherical particles of high strength sintered desiccant core, no shock and friction in the run-time, reduce wear of the desiccant
- Capable of dissolving pollutants such as moisture and acid
- Combination of drying and filtration
- Dual access valves simplify pressure drop measurement
- Filter density: 20 microns
- Large outside diameter design can reduce to a minimum pressure drop
- Powder paint exterior coating surpasses 500 hour salt spray test
- Connector type: SAE and ODF. Reserved TP2 copper tube for the convenience of our customers welding ODF
- Compatible with R-12, R-134a, R-22, R-404A, R-407C, R-410A, R-500, R-502, R-507, etc
- Maximum working pressure: 3.5Mpa /500Psig

型号 MODEL	接口(英寸) CONNECTION (IN)	液体制冷量(冷吨) LIQUID FLOW CAPACITY(TONS)														外形尺寸			
		R-22		R-134a			R-404A, R-507			R-407C			R-410A			A(IN)	B(IN)	ØC(IN)	
		40	0	-40	40	0	-20	40	0	-40	40	0	-40	40	0				-40
SFD 8-3	3/8"SAE	1.1	0.6	0.2	0.7	0.5	0.4	1	0.5	0.2	1.1	0.6	0.2	1.4	0.5	0.1	5.13	----	3
SFD 8-3S	3/8"ODF	1.2	0.7	0.3	0.8	0.6	0.5	1.1	0.6	0.2	1.2	0.7	0.3	1.5	0.5	0.2	4.31	3.13	
SFD 8-4	1/2"SAE	2.3	1.1	0.4	1.5	0.9	0.7	2.1	0.9	0.3	2.2	1.1	0.4	2.9	0.8	0.3	5.38	----	
SFD 8-4S	1/2"ODF	2.6	1.2	0.5	1.7	1	0.8	2.3	1	0.4	2.5	1.2	0.5	3.2	0.9	0.4	4.44	3.13	
SFD 8-5S	5/8"ODF	3.9	1.8	0.6	2.5	1.5	1.1	3.5	1.5	0.5	3.8	1.8	0.6	4.8	1.4	0.4	4.66	3.16	
SFD 8-6S	3/4"ODF	4.2	1.9	0.6	2.7	1.6	1.2	3.8	1.6	0.5	4.1	1.9	0.6	5.2	1.4	0.4	4.72	3.16	
SFD 8-7S	7/8"ODF	4.2	1.9	0.6	2.7	1.6	1.2	3.8	1.6	0.5	4.1	1.9	0.6	5.2	1.4	0.4	4.72	3.16	
SFD 13-5	5/8"SAE	4.2	2	0.8	2.7	1.7	1.2	3.8	1.7	0.6	4	2	0.8	5.1	1.5	0.6	5.82	----	4
SFD 13-5S	5/8"ODF	5	2.5	1	3.2	2.1	1.4	4.5	2.1	0.8	4.9	2.5	1	6.2	1.9	0.7	4.91	3.45	
SFD 13-6S	3/4"ODF	7	3	1	4.5	2.5	1.9	6.3	2.6	0.8	6.8	3	1	8.7	2.3	0.7	4.97	3.45	
SFD 13-7S	7/8"ODF	7	3	1	4.5	2.5	1.9	6.3	2.6	0.8	6.8	3	1	8.7	2.3	0.7	4.97	3.47	
SFD 13-9S	1-1/8"ODF	7.2	3.1	1	4.6	2.6	2	6.4	2.6	0.8	7	3.1	1	8.9	2.3	0.7	5.72	3.47	
SFD 27-7S	7/8"ODF	10	5	2	6.4	4.2	2.9	8.9	4.3	1.6	9.7	5	2.1	12	3.8	1.5	6.97	5.47	
SFD 27-9S	1-1/8"ODF	13	6	2	8.3	5.1	3.8	12	5.1	1.6	13	6	2.1	16	4.5	1.5	7.72	5.47	
SFD 54-11S	1-3/8"ODF	20	9.5	3.5	13	8	6.2	18	8.1	2.8	20	9.5	3.6	25	7.2	2.6	12	9.17	
SFD 54-13S	1-5/8"ODF	23	11	4	15	9.3	6.7	21	9.4	3.2	22	11	4.1	29	8.3	2.9	12	9.17	

1.12 SPL 干燥过滤器
1.12 SPL FILTER CYLINDER



在SPL壳体中安装了模制的过滤干燥块后，就得到了完全的液管保护，为了得到优良的大容量吸气管的过滤，可以在SPL的壳体中安装可更换的过滤芯。吸气管的另一个特点是采用烧损干燥过滤干燥块，它在压缩机烧损后起到清洁的作用。

The pipet is completely protected after the installation of molded filter dry fragment in SPL shell. To obtain the filtration of big capacity suction pipe, replaceable filter cores can be installed inside. Another feature of the suction pipe is that it adopts filter dry fragment to clear up the compressor when it was burned.

◆ 特征 / Feature:

- 耐用的钢制壳体提高了寿命
- 安全工作压力：T-液管用 3.4Mpa
SV-吸气管用 2.7Mpa
- 接头通过满流量时压力损失很小
- 表面耐腐蚀性高
- 安多种接头尺寸
- 简化的内部零件便于产品的安装
- 适用多种制冷剂R-12, R-134a, R-22, R-404A, R-407C, R-410A, R-500, R-502, R-507等
- 通过了UL和CE认证

- Durable steel shell prolongs the life of the equipments
- Safe operating pressure: T—for pipet 3.4Mpa
SV—for suction tube 2.7Mpa
- Very little pressure loss when full flowing
- High corrosion resistance of surface
- Various sizes of joints
- Simplified internal parts make the installation convenient
- For a variety of refrigerant R-12, R-134a, R-22, R-404A, R-407C, R-410A, R-500, R-502, R-507
- With the UL and CE certification

仅供液体 管使用 FOR LIQUID LINE AND SUCTION LINE	连接焊口 CONNECTION ODF ONLY(IN)	制冷量(冷吨)-低温商用 REFRIGERATION CAPACITY (TONS)-LOW TEMP./COMMERCIAL USE					A(IN)	B(IN)	C(IN)	D(IN)	E(IN)	重量(千克) WEIGHT (KG)	芯体数量 QUANTITY OF CORES
		R134a	R12	R22	R404a /507	R502							
SPL-485	5/8	19	15	21	14	13	9.31	6.05	4.5			1	
SPL-487	7/8	35	28	38	25	24	9.5						
SPL-489	1-1/8	48	40	53	35	34	9.38						
SPL-4811	1-3/8	56	46	61	40	39	9.75	6.05	4.5		8	2	
SPL-4813	1-5/8	78	64	85	56	55	15.13						
SPL-967	7/8	37	31	41	27	26	15.13						
SPL-969	1-1/8	58	47	63	42	40	15.19	6.05	4.5		19.5	4	
SPL-9611	1-3/8	72	59	79	52	51	15.31						
SPL-9613	1-5/8	78	64	85	56	55	15.31						
SPL-1449	1-1/8	56	46	61	40	39	20.5	6.05	4.5		21	3	
SPL-14411	1-3/8	81	66	88	58	57	20.75						
SPL-14413	1-5/8	89	73	97	64	63	20.75						
SPL-14417	2-1/8	103	84	112	74	72	20.94	6.05	4.5		19.5	4	
SPL-19211	1-3/8	86	71	94	62	61	26.66						
SPL-19213	1-5/8	95	77	103	68	66	26.66						
SPL-19217	2-1/8	106	87	115	76	74	26.84	7.87	6		21	3	
SPL-30013	1-5/8	70	57	76	50	49	24.78						
SPL-30017	2-1/8	84	69	92	61	59	24.87						
SPL-30021	2-5/8	94	79	102	71	69	25	7.87	6		23	4	
SPL-30025	3-1/8	104	89	112	81	79	25.13						
SPL-30029	3-5/8	114	99	122	91	89	25.13						
SPL-30034	4-1/4	124	109	132	101	99	24.94	7.87	6		23	4	
SPL-40017	2-1/8	89	73	97	64	63	34.56						
SPL-40021	2-5/8	101	83	110	73	71	34.75						

Частное предприятие "Юдипен-Холод" || +375296803378 || https://купизапчасть.бел || Минская обл., Минский р-н, Щомыслицкий с/с, 92/4

Частное предприятие "Юдипен-Холод" || +375296803378 || <https://купизапчасть.бел> || Минская обл., Минский р-н, Щомыслицкий с/с, 92/4

1.13 滤芯系列
1.13 FILTER CORE SERIES

斯波兰生产的滤芯和可拆卸的过滤筒外壳都是最常用和可更换的。尺寸通用型，干燥滤芯用金属的易拉罐包装，能有效的保证干燥性能和其他的污染。
This series of filter core and removable filter cylinder shell are the most commonly used and can be replaced, universal size, dry filter with metal cans packaging, can effectively guarantee drying performance and other pollution.



◆ DS系列 / DS Series

80%分子筛, 20%活性氧化铝
该型干燥滤芯因为加入了活性氧化铝, 对运行时产生的酸有吸附作用和系统带的水分干燥作用, 是最完美的干燥滤芯。
适合制冷剂: R-12, R-22, R-134a, R-404a, R-507, R-410A, R-407C...等。
80% of the molecular sieve, 20% activated alumina;
This type of drying filter core for added active alumina, the acid generated when running a system with adsorption of water and drying effect. It is the most perfect filter core. Suitable for refrigerant: R-12, R-22, R-134a, R-404a, R-507, R-410A, R-407C ... Etc..



◆ HS系列 / HS Series

100%分子筛
该型干燥滤芯100%干燥剂, 需要大的干燥能力的系统使用, 发挥了最大能力和干燥效果的干燥滤芯。
适合制冷剂: R-12, R-22, R-134a, R-404a, R-152a, R-502, R-507...等。
100% of the molecular sieve
This type of filter core with 100% desiccant, require large drying capacity of the system, play a maximum capacity of the drying effect of the drying-off filter. played the greatest capacity and drying effect of drying filter core.
Suitable for refrigerant: R-12, R-22, R-134a, R-404a, R-507, R-410A, R-407C ... Etc..



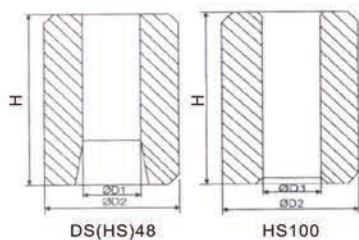
◆ DW系列 / DW Series

75%分子筛, 20%活性氧化铝, 5%活性炭。
该型干燥滤芯因为加入了活性氧化铝, 活性炭, 适用于烧毁过系统吸附酸和蜡的干燥滤芯。
适合制冷剂: R-12, R-22, R-134a, R-404a, R-507, R-410A, R-407C...等。
75% of molecular sieve, 20% activated alumina, 5% carbon.
This type of drying-filter core added activated alumina, activated carbon apply to absorbing the acid of burn-off system and the dried wax filter.
Suitable for refrigerant: R-12, R-22, R-134a, R-404a, R-507, R-410A, R-407C ... Etc..

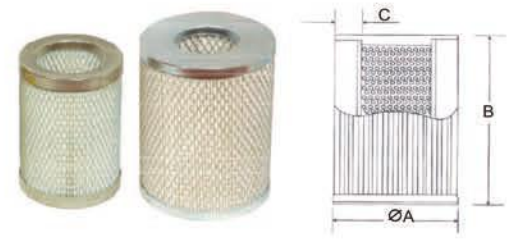


◆ HW系列 / HW Series

95%分子筛, 5%活性炭。
该型干燥滤芯因为加入了活性炭, 适用于烧毁过系统吸蜡, 并且能够保证大吸水能力的干燥滤芯。
适合制冷剂: R-12, R-22, R-134a, R-404a, R-152a, R-502, R-507...等。
95% of molecular sieve, 5% carbon.
This type of drier core added the activated carbon, it suitable for Burn-off system absorption of wax, and can guarantee a large water absorption capacity of the drier filter core.
Suitable for refrigerant: R-12, R-22, R-134a, R-404a, R-152a, R-502, R-507... Etc..



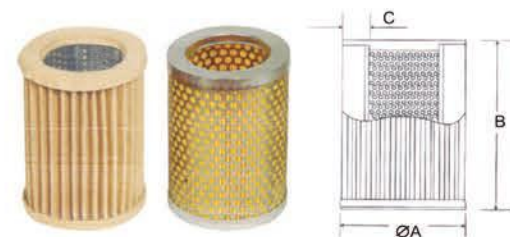
型号 MODEL	H	Ø1	Ø2	Ø3
DS-48	5.5	3.7	1.76	2.28
HS-48	5.5	3.7	1.76	2.28
DW-48	5.5	3.7	1.76	2.28
HW-48	5.5	3.7	1.76	2.28
DS-100	6.5	4.8	2.09	-----
HS-100	6.5	4.8	2.09	-----
DW-100	6.5	4.8	2.09	-----
HW-100	6.5	4.8	2.09	-----



◆ LX系列 / LX Series

LX Suction Line Filter Cores

Type	A(IN)	B(IN)	C(IN)
LX48	3.74	5.51	0.79
Lx100	4.69	6.54	1.10



◆ SX系列 / SX Series

Sx Suction Oil Filter Cores

Type	A(IN)	B(IN)	C(IN)
SX48	3.74	5.51	0.79
Sx100	4.69	6.54	1.10

2.1 SPLQ系列气液分离器
2.1 SPLQ SERIES LIQUID ACCUMULATOR



气液分离器采用内部弯管设计, 防止内部喷溅, 有助于分离器底部油的聚集, 并尽可能安装在压缩机附近。

The liquid accumulator separator is designed with internal bend pipes to prevent from internal splashing and help the aggregation of the oil at the bottom of the separator. The separator shall be installed as nearer to the compressor as possible.

◆ 特征 / Feature:

- 适用多种制冷剂: CFC/HCFC/HFC
- 多种外形设计, 相同的容积不同的宽高比例, 方便用户的选型安装
- 用户能够方便焊接ODF的采用TP2铜管预留
- 环氧粉末喷涂, 盐雾实验达500小时以上
- 适用多种制冷剂R-12, R-134a, R-22, R-404A, R-407C, R-410A, R-500, R-502, R-507等
- 最大工作压力: 3.1Mpa/450Psig, 通过了UL和CE认证
- Adaptive to CFC/HCFC/HFC
- A variety of shape design, the same volume of different aspect ratio cases, user-friendly selection and installation
- In order to facilitate welding, ODF adoption of TP2 copper reserve
- Corrosion resistant epoxy powder paint finish, salt spray test above 500 hours
- For a variety of refrigerant R-12, R-134a, R-22, R-404A, R-407C, R-410A, R-500, R-502, R-507
- Maximum working pressure: 3.1Mpa/450Psig, with the UL and CE certification

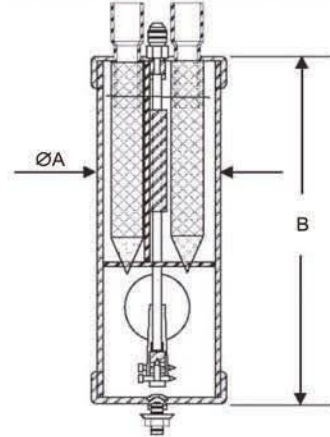
型号 MODEL	接口尺寸 CONNECTION(IN)	A	B	C	制冷量(冷吨) FLOW CAPACITY(TONS)		
					R-12	R22/R134a	R404A/R507
SPLQ-204	1/2	4	8.73	1.89	3.5	3.3	3.4
SPLQ-205	5/8	4	11.1	1.89	4.4	4	4.2
SPLQ-206	3/4	5.5	9.45	3.19	6.1	6.8	6.2
SPLQ-207	7/8	5.5	12.68	3.19	9.8	9	9.3
SPLQ-208	1-1/8	6.5	15.71	3.23	14.2	13.3	13.7
SPLQ-209	1-3/8	6.5	20.7	3.23	21.8	20.5	21.2
SPLQ-210	1-5/8	6.5	22.72	3.23	23.8	22.5	23.1

型号 MODEL	接口尺寸 CONNECTION(IN)	A	B	C	制冷量(冷吨) FLOW CAPACITY(TONS)		
					R-12	R22/R134a	R404A/R507
SPLQ-384	1/2	3	8	1.33	2	1.5	1.5
SPLQ-3105	5/8	3	10	1.33	3	2	2
SPLQ-3156	3/4	3	15	1.33	4	3.5	2.75
SPLQ-596	3/4	5	9	2.75	4	6	5.5
SPLQ-597	7/8	5	9	2.75	7.3	6	5.5
SPLQ-5126	3/4	5	12	2.75	4	8	7.5
SPLQ-5127	7/8	5	12	2.75	7.3	8	7.5
SPLQ-5137	7/8	5	13	2.75	7.3	8.5	8
SPLQ-5139	1 1/8	5	13	2.75	11.8	8.5	8
SPLQ-5179	1 1/8	5	17	2.75	11.8	12	10
SPLQ-51711	1 3/8	5	17	2.75	18.8	12	10
SPLQ-61411	1 3/8	6	14	2.94	18.8	15	12
SPLQ-62013	1 5/8	6	20	2.94	28.5	20	16

Частное предприятие "Юдипен-Холод" || +375296803378 || <https://купизапчасть.бел> || Минская обл., Минский р-н, Щомыслицкий с/с, 92/4

Частное предприятие "Юдипен-Холод" || +375296803378 || <https://купизапчасть.бел> || Минская обл., Минский р-н, Щомыслицкий с/с, 92/4

3.1 SPLY 空调用油分离器
3.1 SPLY AIR-CONDITIONING OIL SEPARATOR



油分离器具有从制冷气体混合物中分离油的能力，从而促使制冷空调系统的有效运行，并节约能源。它的功能是从压缩机的制冷剂 and 油的混合物进入油分离器的进口。这个混合物流过一个过滤器和挡版装置，使油的细粒聚集并跌落到油分离器的底部，制冷剂气体通过出口，过滤器将残余的油粒分离，并在无油的状态下进入冷凝器，制冷剂的油聚集在油分离器的底部，在该处的一个由浮球操作的针形阀开启，让油回到压缩机中，由于油分离器的压力比曲轴箱的压力要高，因此油很快地返回到压缩机中，当油位下降，针形阀将关闭以防止制冷气体返回到压缩机。油分离器系统安装于超市及空调系统的多重压缩机支架、带有长制冷液路的系统、存在内部回油问题的系统、超低温系统和使用HCFC, HFC, 及相应润滑剂的系统。

The oil separator is capable of separating the oil from the refrigerating gas mixture so as to improve the performance of refrigerating air conditioning system and save energy. Its function enters the inlet of the oil separator from the compressor refrigerant and oil mixture, this mixture flows through a filter and a baffle device, making the oil particles aggregate and drop to the bottom of the oil separator. The refrigerant gas will go through the outlet, and enter the condenser under oil-less status when the filter separates the remaining oil particles from the gas. The oil of the refrigerant aggregates at the bottom of the oil separator, and a needle valve operated by a floating ball is opened to let oil return to the compressor. Since the pressure of the oil separator is higher than the pressure of the crankcase, the oil can quickly return to the compressor. When the oil level drops, the needle valve is closed to prevent the refrigerant gas from returning to the compressor. The oil separator system is mostly installed in the multiple compressor racks of supermarkets and air conditioning, system with long refrigerant lines, system with problems of internal oil return, ultra-temperature system and system using HCFC, HFC and relative lubricants.

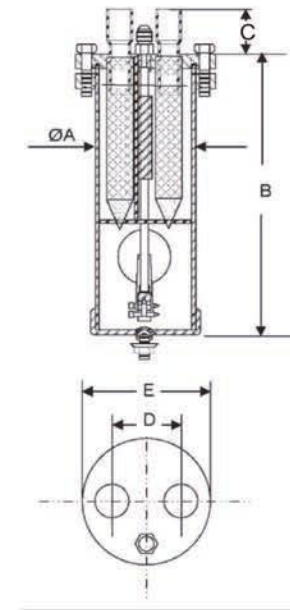
◆ 特征 / Feature:

- 带有钢制回油系统的密封结构 (1/4或3/8" 螺口)
- 可靠的浮阀关闭系统
- 坚固的铜接口
- 耐腐蚀喷塑
- 适用多种制冷剂R-12, R-134a, R-22, R-404A, R-407C, R-410A, R-500, R-502, R-507等
- 最大工作压力: 3.5Mpa/500Psig, 通过了UL和CE认证
- Hermetical construction with steel oil-return system(1/4 or 3/8" SAE connection)
- Dependable shut-off system of floating valve
- Solid copper connection
- Anti-corrosive spurling model
- For a variety of refrigerant R-12, R-134a, R-22, R-404A, R-407C, R-410A, R-500, R-502, R-507
- Maximum operating pressure: 3.5Mpa/500Psig, With the UL and CE certification

◆ 技术说明 / Specification:

型号 MODEL	接口 (英寸) CONNECTION ODF (IN)	壳体尺寸 VALVE BODY SIZE		在下列蒸发温度时的制冷量 REFRIGERATION CAPACITY(TONE) UNDER THE APPOINTED TEMPERATURE								对应型号 RELATIVE TYPE
		A(IN)	B(IN)	R12		R22/R407C		R502		R134a		
				-40" f	+40" f	-40" f	+40" f	-40" f	+40" f	-40" f	+40" f	
SPLY-55824	1/2	4	10.75	1	1-1/2	1-1/2	2	1-1/2	2	1	1-3/4	SPLY-5201
SPLY-55855	5/8	4	14.25	3	4	4-1/2	5-1/2	4-3/4	5-3/4	3-1/4	4-1/2	SPLY-5202
SPLY-55877	7/8	4	17.75	4-1/4	5-1/2	7	8	7-1/2	8-1/2	4-3/4	6-1/2	SPLY-5203
SPLY-55889	1-1/8	4	21	6	7-1/2	9	11	9-1/2	11-1/2	6-1/2	8-1/2	SPLY-5204
SPLY-559011	1-3/8	4	21.25	7-1/2	10	11-1/2	14	12	14-1/2	8	11-1/3	SPLY-5205
SPLY-559213	1-5/8	4	22	9	11-1/2	14	18	16	17-1/2	9-1/2	13-1/4	SPLY-5206
SPLY-569011	1-3/8	6	15.75	9	12	13	14	15	20	9-1/2	13-3/4	SPLY-6203
SPLY-569213	1-5/8	6	19	11	14	16	18	20	24	11-3/4	16	SPLY-6204
SPLY-569417	2-1/8	6	19.5	17	22	25	30	30	35	18	25-1/4	SPLY-6205

3.2 SPLY 带法兰空调用油分离器
3.2 SPLY WITH FLANGE AIR-CONDITIONING OIL SEPARATOR



油分离器具有从制冷气体混合物中分离油的能力，从而促使制冷空调系统的有效运行，并节约能源。它的功能是从压缩机的制冷剂 and 油的混合物进入油分离器的进口。这个混合物流过一个过滤器和挡版装置，使油的细粒聚集并跌落到油分离器的底部，制冷剂气体通过出口，过滤器将残余的油粒分离，并在无油的状态下进入冷凝器，制冷剂的油聚集在油分离器的底部，在该处的一个由浮球操作的针形阀开启，让油回到压缩机中，由于油分离器的压力比曲轴箱的压力要高，因此油很快地返回到压缩机中，当油位下降，针形阀将关闭以防止制冷气体返回到压缩机。油分离器系统安装于超市及空调系统的多重压缩机支架、带有长制冷液路的系统、存在内部回油问题的系统、超低温系统和使用HCFC, HFC, 及相应润滑剂的系统。

The oil separator is capable of separating the oil from the refrigerating gas mixture so as to improve the performance of refrigerating air conditioning system and save energy. Its function enters the inlet of the oil separator from the compressor refrigerant and oil mixture, this mixture flows through a filter and a baffle device, making the oil particles aggregate and drop to the bottom of the oil separator. The refrigerant gas will go through the outlet, and enter the condenser under oil-less status when the filter separates the remaining oil particles from the gas. The oil of the refrigerant aggregates at the bottom of the oil separator, and a needle valve operated by a floating ball is opened to let oil return to the compressor. Since the pressure of the oil separator is higher than the pressure of the crankcase, the oil can quickly return to the compressor. When the oil level drops, the needle valve is closed to prevent the refrigerant gas from returning to the compressor. The oil separator system is mostly installed in the multiple compressor racks of supermarkets and air conditioning, system with long refrigerant lines, system with problems of internal oil return, ultra-temperature system and system using HCFC, HFC and relative lubricants.

◆ 特征 / Feature:

- 带有钢制回油系统的密封结构 (1/4或3/8" 螺口)
- 可靠的浮阀关闭系统
- 坚固的铜接口
- 法兰拆卸，方便检修
- 耐腐蚀喷塑
- 适用多种制冷剂R-12, R-134a, R-22, R-404A, R-407C, R-410A, R-500, R-502, R-507等
- 最大工作压力: 3.5Mpa/500Psig, 通过了UL和CE认证
- Hermetical construction with steel oil-return system(1/4 or 3/8" SAE connection)
- Dependable shut-off system of floating valve
- Solid copper connection
- Flange disassembled, easy to check and repair
- Anti-corrosive spurling model
- For a variety of refrigerant R-12, R-134a, R-22, R-404A, R-407C, R-410A, R-500, R-502, R-507
- Maximum operating pressure: 3.5Mpa/500Psig, With the UL and CE certification

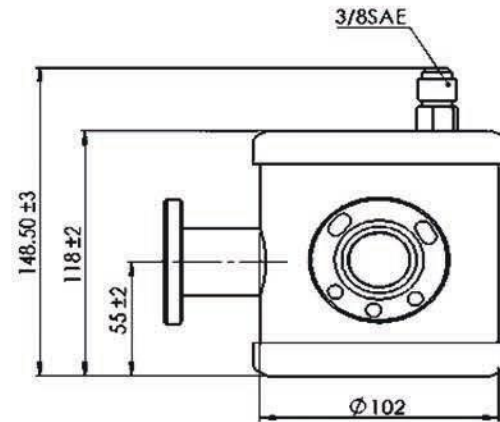
◆ 技术说明 / Specification:

型号 MODEL	接口 (英寸) CONNECTION ODF (IN)	直径 DIAMETER (A)	B(IN)	C(IN)	D(IN)	E(IN)
SPLY-5302	1/2	4	10.04	1.19	1.81	5.59
SPLY-5303	5/8		13.78	1.38	1.81	5.59
SPLY-5304	7/8		16.73	1.58	1.81	5.59
SPLY-5305	1-1/8		17.91	1.77	1.81	5.59
SPLY-5306	1-3/8		19.09	1.97	1.81	5.59
SPLY-5307	1-5/8		19.09	1.97	1.81	5.59
SPLY-6302	1-1/8	6	15.16	1.77	3.03	7.16
SPLY-6303	1-3/8		16.93	1.97	3.03	7.16
SPLY-6304	1-5/8		16.93	1.97	3.03	7.16
SPLY-6305	2-1/8		19.3	2.4	3.03	7.16

Частное предприятие "Юдипен-Холод" || +375296803378 || <https://купизапчасть.бел> || Минская обл., Минский р-н, Щомыслицкий с/с, 92/4

Частное предприятие "Юдипен-Холод" || +375296803378 || <https://купизапчасть.бел> || Минская обл., Минский р-н, Щомыслицкий с/с, 92/4

3.3 SPLY-K系列油位控制器
3.3 SPLY-K MECHANICAL OIL LEVEL REGULATOR



机械式油位控制器是为了保持低压回油系统的压缩机曲轴箱油位而设计的。通过浮球式针阀精确的控制曲轴箱内的油位。它可以直接或通过相应型号的适配器与各种压缩机连接。并联机组的多台压缩机可以水平方向安装，也可以垂直安装。

Oil Level Regulators are typically used as part of a Low Pressure Oil Management System on parallel compressor racks, designed to bolt directly to the sight glass housing on the compressor crankcase. SIKELAN Refrigeration offers fixed level and adjustable level Oil Level Regulators, as well as a wide variety of Adapters to allow use on most popular compressor models.

◆ 技术参数 / Technical Specifications

- 最高各种压力: 3.2MPa
- 工作温度: -10℃ ~ +120℃
- 产品认证: CE认证
- Maximum working pressure: 3.2Mpa
- Allowable operating temperature: -10℃ - +120℃
- SIKELAN Mechanical Oil Level Regulators are CE Listed

◆ 主要特点 / Main Features

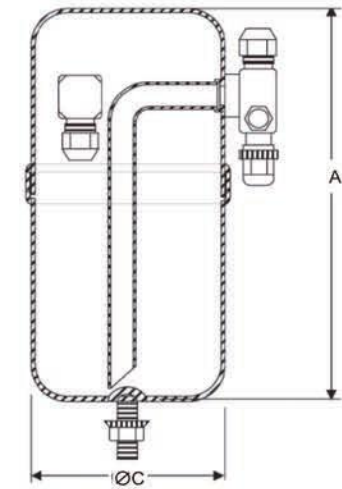
- 通用法兰压缩机接口
- SAE螺纹接口
- 可选配固定式或可调节式油位控制器
- Universal flange compressor connections
- SAE flare oil and equalization connections
- Pressure equalization ports for adjustable level Oil Level Regulators

型号 MODEL	视镜油位 OIL LEVEL IN SIGHT GLASS	适配R717或HP SUITABLE WITH R717 & HP	均衡口 EQUALIZATION CONNECTION	压力差 PRESSURE DIFFERENTIAL	接口尺寸 CONNECTION
SPLY-K-2	1/2	否 NO	没有 NO	0.35-0.2MPa	5个螺钉孔 5bolts
SPLY-K-2-5	1/4~5/8可调式 1/4 to 5/8 Adjustable	否 NO	没有 NO	0.35-0.62MPa	7个螺钉孔 7bolts
SPLY-K-2-4E	1/4~5/8可调式 1/4 to 5/8 Adjustable	是 YES	有 YES	0.35-0.62MPa	7个螺钉孔 7bolts

◆ 安装说明 / Installation - Notes

- 推荐使用油分离器来保护油位控制器不受系统内部杂质破坏;
- 此款压缩机不能承受过度震动, 油压差运行差必须在技术规格表指定的参数范围内;
- 油位控制器与压缩机连接时, 注意保证阀体处于水平状态。
- To protect the oil level regulator from system debris, an oil separator is recommended;
- The oil level regulator should not be subjected to excessive vibration. The operating differential oil pressure should be within the range of the regulator's specification;
- Ensure the body is in a horizontal position when install to the compressor.

4.1 SPLC系列储液器
4.1 SPLC SERIES LIQUID RECEIVER



高压冷媒在经过冷凝器的散热效果之后, 成为液体及气态的状态, 但是必须在液态的情况下进入蒸发器, 才能有好的制冷效果, 因此就必须装置此一储液器的设备, 来使高压冷媒储存于此, 然后再由底部抽出液态冷媒送至蒸发器, 才能使蒸发器发挥到极限, 而达到最好的制冷效果。

The high pressure refrigerant will become both liquid and gas status after the heat is scattered. And it must enter into the evaporator under the condition of liquid refrigerant status to get the best cooling effect, so this is the reason to set up a refrigerant receiver, whose function is to store the high pressure refrigerant first and then suck the liquid refrigerant from the bottom to the evaporator. This is the best way for the evaporator to produce the best cooling effect.

◆ 技术说明 / Specification:

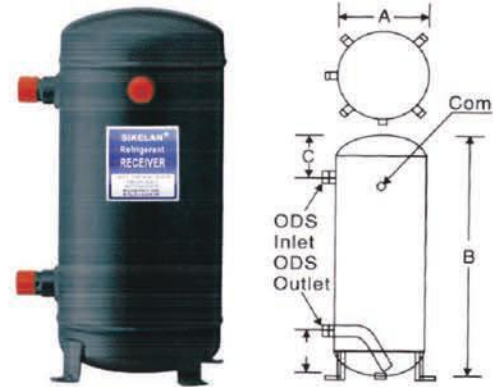
型号 MODEL	尺寸 DIMENSION(IN)		接口(英寸) CONNECTION SIZE(IN)		冷媒容量 PUMP DOWN CAPACITY(LBS)		
	A	C	INLET	OUTLET	R-134a	R-22	R-404a/R-507
SPLC-101	7.87	3.35	3/8	1/4	2.5	2.4	2.5
SPLC-102	10.24	5	3/8	3/8	6.1	5.8	6
SPLC-103	11.42	5	3/8	3/8	7	6.7	6.8
SPLC-104	13.78	6	1/2	1/2	10	9.5	9.8
SPLC-105	16.15	7	5/8	5/8	14	13.2	13.5
SPLC-106	23.6	6.5	3/4	3/4	17.64	16.63	17.01
SPLC-107	27.56	6.5	7/8	7/8	20.58	19.4	25

◆ 技术说明 / Specification:

型号 MODEL	尺寸 DIMENSION(IN)		接口(英寸) CONNECTION SIZE(IN)		冷媒容量 PUMP DOWN CAPACITY(LBS)		
	A	C	INLET	OUTLET	R-134a	R-22	R-404a/R-507
SPLC-101D	7.87	3.35	3/8	1/4	2.5	2.4	2.5
SPLC-102D	10.24	5	3/8	3/8	6.1	5.8	6
SPLC-103D	11.42	5	3/8	3/8	7	6.7	6.8
SPLC-104D	13.78	6	1/2	1/2	10	9.5	9.8
SPLC-105D	16.15	7	5/8	5/8	14	13.2	13.5

Частное предприятие "Юдипен-Холод" || +375296803378 || <https://купизапчасть.бел> || Минская обл., Минский р-н, Щомыслицкий с/с, 92/4

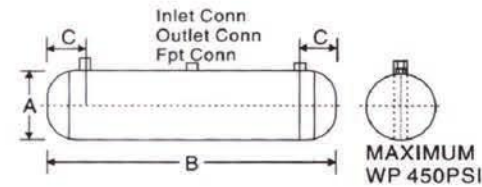
4.2 SPLC 系列储液器
4.2 SPLC SERIES LIQUID RECEIVER



此直立式焊接储液器，皆属于较大型；冰水机组或特殊设计的空调系统所使用。使用方式与效果和一般直立式的储液器相同。
This vertical welded type or horizontal type liquid receiver both are applicable to the larger ice-water machine sets or the special designed air-conditioning system. The usage and function are the same as the average vertical type of liquid receiver.

◆ 技术参数 / Specification:

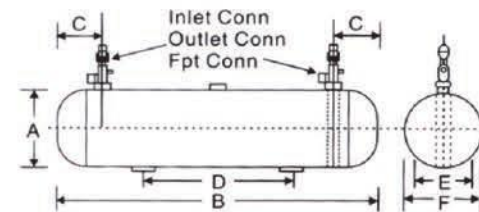
型号 MODEL	A(IN)	B(IN)	C(IN)	D(IN)	接口(英寸) CONNECTION (IN)	入口(英寸) INLET(IN)	出口(英寸) OUTLET(IN)
SPLC-06L	6.00	21.00	4.00	7.87	1/4	3/4	3/4
SPLC-07L	6.50	28.50	6.00	7.87	1/4	7/8	7/8
SPLC-11L	8.50	25.00	5.00	9.65	1/4	1-1/8	1-1/8



此卧式储液器，属于较大型、冰水机组或特殊设计的空调系统所使用，使用方式与效果和一般直立式的储液器相同。
This horizontal type liquid receiver both are applicable to the larger ice-water machine sets or the special designed air-conditioning system. The usage and function are the same as the average vertical type of liquid receiver.

◆ 技术参数 / Specification:

型号 MODEL	尺寸 DIMENSION(IN)				接口(英寸) CONNECTION SIZE(IN)		冷媒容量 PUMP DOWN CAPACITY (LBS)			
	A	B	C	D	INLET	OUTLET	FPT	R-134a	R-22	R-404a/R-507
SPLC-051WS	5.5	27.96	4.53	13.78	5/8	5/8	1/4	18.8	18.6	16.2
SPLC-052WS		35.83		17.72	ODF	ODF		24.3	24.0	20.9
SPLC-053WS	6.5	29.92	4.93	13.78	5/8	5/8	1/4	29.2	28.8	25.0
SPLC-054WS		35.83		17.72	ODF	ODF		35.0	34.6	30.1



此卧式储液器，属于较大型、冰水机组或特殊设计的空调系统所用，使用方式与效果和一般直立式的储液器相同。
This horizontal type liquid receiver both are applicable to the larger ice-water machine sets or the special designed air-conditioning system. The usage and function are the same as the average vertical type of liquid receiver.

◆ 技术参数 / Specification:

型号 MODEL	尺寸 DIMENSION(IN)						接口(英寸) CONNECTION SIZE(IN)		冷媒容量 PUMP DOWN CAPACITY (LBS)			
	A	B	C	D	E	F	INLET	OUTLET	FPT	R-134a	R-22	R-404a/R-507
SPLC-2528WV	5.5	27.98	4.53	13.78	5.37	6.54	1/2	1/2	1/4	19	18	19
SPLC-2635WV	6.5	35.4	4.93	17.72	5.37	6.54	5/8	5/8	1/4	35	32	34
SPLC-2836WV	8.5	35.83	6.1	17.72	7.5	8.66	7/8	7/8	1/4	67	61	44
SPLC-2840WV	8.5	38.77	6.89	19.69	7.5	8.66	1-1/8	1-1/8	1/4	74	67	48

4.3 SPLC 系列储液器
4.3 SPLC SERIES LIQUID RECEIVER



该储液器采用先进的自动焊接工艺，其强度大，气密性好，且配有高档进口旋转截止阀，是理想的制冷配套元件。
Adopting the advanced automatic welding artwork, with virtue of big strength and good air tightness, and with the top-grade imported revolving cut-off valve, the liquid receiver of this kind is an ideal parts of refrigerators.

Adopting the advanced automatic welding artwork, with virtue of big strength and good air tightness, and with the top-grade imported revolving cut-off valve, the liquid receiver of this kind is an ideal parts of refrigerators.

◆ 特征 / Feature:

- ◎ 安装过程不受角度控制
- ◎ 耐腐蚀喷漆
- ◎ 适用多种制冷剂R-12, R-134a, R-22, R-404A, R-407C, R-410A, R-502, R-507等
- ◎ 最大工作压力: 3.5Mpa/500Psig, 通过了UL和CE认证
- ◎ The installation is not limited by angles
- ◎ Corrosion resistant painting
- ◎ For a variety of refrigerant R-12, R-134a, R-22, R-404A, R-407C, R-410A, R-500, R-502, R-507
- ◎ Maximum working pressure: 3.5Mpa/500Psig, With the UL and CE certification

◆ 技术说明 / Specification:

型号 MODEL	直径(英寸) DIA-A(IN)	高度(英寸) HEIGHT-B(IN)	进口(英寸) INLET ODF(IN)	出口(英寸) OUTLET ODF(IN)	容量(L) VOLUME(L)	适配马力 COMPRESSOR(HP)
SPLC-433	5.5	12.2	3/8	3/8	4.1	2
SPLC-644	6.5	12.4	1/2	1/2	5.6	3
SPLC-844	6.5	15.95	1/2	1/2	7.6	4
SPLC-1055	6.5	20	5/8	5/8	9.6	5
SPLC-1455	8.6	17.72	5/8	5/8	14	8-10
SPLC-3511	12.8	22.5	1-3/8	1-3/8	35	-
SPLC-5613	15.8	22.5	1-5/8	1-5/8	56	-
SPLC-7013	17.7	22.5	1-5/8	1-5/8	70	-

Частное предприятие "Юдипен-Холод" || +375296803378 || <https://купизапчасть.бел> || Минская обл., Минский р-н, Щомыслицкий с/с, 92/4

Частное предприятие "Юдилен-Холод" || +375296803378 || <https://купизапчасть.бел> || Минская обл., Минский р-н, Щомыслицкий с/с, 92/4

4.4 SPLC-M系列储液器
4.4 SPLC-M LIQUID RECEIVER



◆ 特征 / Features:

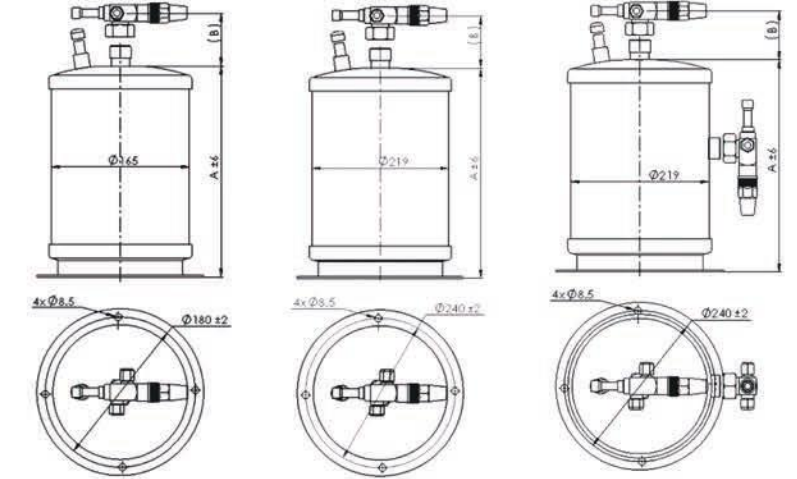
该储液器为美优乐压缩机定制的储液器，具有强度高、气密性好，能很好的保护压缩机。
The liquid receiver is customized for Maneurop compressor. It has strong strength and good air tightness and can protect the compressor well.

- 设计为在正常运作和系统维修期间存储制冷剂所用；
- 允许系统进行调整以适应不同的系统条件和负载；
- 高度耐腐蚀的表面粉末喷漆，可以在所有环境下使用，包括海洋应用；
- 兼容HFC, HCFC, CFC制冷剂和相应的油；
- 可以根据客户的特定需求设计和制造特殊的储液器，例如进出口尺寸和进出口位置的变动；
- 最大工作压力：3.5Mpa；
 - Designed for refrigerants storage in system operating or maintaining;
 - System adjustment is allowed to suit with different condition or load;
 - Highly corrosion-resistant powder coating finish. Can be used in all environments, including marine applications;
 - Products are compatible with HFCs, HCFCs, CFCs, as well as with their associated oils and additives;
 - Can design and manufacture special receivers according to customers' requirement, such as changes in import & export's sizes and locations;
 - Max. working pressure: 3.5Mpa.

◆ 技术说明 / Specification:

型号 MODEL	直径(英寸) DIA	高度(英寸) HEIGHT	进出口(英寸) INLET & OUTLET	容积 VOLUME	固定螺钉 FIXING SCREWS	备注 NOTE
SPLC-M013	4.7	7.7	3/8	2.2	M10	1HP
SPLC-M023	5.5	8.3	3/8	3		2HP
SPLC-M024	5.5	8.3	1/2	3		2HP
SPLC-M025	5.5	8.3	5/8	3		2HP
SPLC-M034	5.5	10.6	1/2	4		3HP
SPLC-M035	5.5	10.6	5/8	4		3HP
SPLC-M055	7.1	9.3	5/8	6		5HP
SPLC-M057	7.1	9.3	7/8	6		5HP
SPLC-M085	7.1	10.9	5/8	8		8HP
SPLC-M087	7.1	10.9	7/8	8		8HP
SPLC-M105	8.6	12.3	5/8	10	M12	10HP
SPLC-M107	8.6	12.3	7/8	10		10HP
SPLC-M125	8.6	13.9	5/8	12		12HP
SPLC-M127	8.6	13.9	7/8	12		12HP
SPLC-M1211	8.6	13.9	1-1/8	12		12HP
SPLC-M145	8.6	13.9	5/8	14		14HP
SPLC-M145	8.6	13.9	7/8	14		14HP
SPLC-M1411	8.6	13.9	1-1/8	14		14HP

4.5 SPLC-F系列储液器
4.5 SPLC-F LIQUID RECEIVER



◆ 特征 / Features:

F系列立式储液器进口为ODS (钎焊) 碳钢接口，出口装有截止阀。F-19L、F-23L两个型号进/出口均装有截止阀，同时设计一个1/4"NPT接口。

The F series vertical receiver is imported with ODS (brazing) carbon steel interface and the outlet is equipped with a shut-off valve. Both the F19 and F23 models are equipped with a shut-off valve for the inlet/outlet and a 1/4"NPT interface.

- 安装方法：垂直安装
- 安全工作压力：31bar
- 最高许可运行温度：100℃
- F19、F23两种型号装有易溶塞
- 使用制冷剂：R134a、R404A、R407A、R407C、R507、R22

- Installation method: vertical
- Safe working pressure: 31bar
- Maximum permissible operating temperature: 100 ° C
- F19、F23 two models are equipped with soluble plugs
- For use with HFC & HCFC Refrigerants (R134a、R404A、R407A、R407C、R507、R22)

◆ 技术说明 / Specification:

型号 MODEL	接口尺寸 Connection	储液量 (L) Liquid volume	A (mm)	B (mm)	C (mm)	备注 Drawing
SPLC-F4	3/8	4	250	55	/	图1 Fig 1
SPLC-F6	1/2	6	347	55	/	
SPLC-F8	1/2	8	462	55	/	
SPLC-F10	5/8	10	328	55	/	图2 Fig 2
SPLC-F12	5/8	12	388	55	/	
SPLC-F14	5/8	14	443	55	/	
SPLC-F19	7/8	19	606	55	182	图3 Fig 3
SPLC-F23	7/8	23	718	55	182	

Частное предприятие "Юдилен-Холод" || +375296803378 || <https://купизапчасть.бел> || Минская обл., Минский р-н, Щомыслицкий с/с, 92/4

Частное предприятие "Юдилен-Холод" || +375296803378 || <https://купизапчасть.бел> || Минская обл., Минский р-н, Щомыслицкий с/с, 92/4

4.6 SPLC-Y储油器系列
4.6 SPLC-Y OIL RECEIVER

◆应用 / Applications

储油器用于储存未蓄留在压缩机曲轴箱内，又不在油分离中，也不在系统中进行循环的润滑油。在储油器里，所有溶于润滑油中的制冷剂都会被蒸发出来，润滑油同时得到冷却。

推荐在供油系统中安装SPLC-Y系列油过滤器，否则油中的脏物会导致油位控制器失灵。

SIKELAN oil receivers are used in "low and high pressure oil control systems". Due to system design, loading and defrosting cycle, the changing oil mass can be send back by oil separator, thus, a safety oil receiver is required for the operation of oil control system. In the oil receiver, any refrigerant trapped within the oil is boiled-off and the oil is cooled and kept available.

SIKELAN oil receivers are normally equipped with sight glasses with float ball level indicators, for upper and lower level indication, and with two shut off valves, the top valve receives valve from oil separator, and the bottom valve sends oil to the oil regulator.



◆技术参数 / Technical specification

- 设计压力: 3.0MPa (30 bar)
- 适用于制冷剂: R134a、R404A、R507A、R407C、R22
- 产品认证: CE 认证
- Max. Allowable operating pressure: 3.0Mpa
- Refrigerant: suitable with HFC & HCFC Refrigerants and associated oil (R134A, R404A, R507, R407A, R407C, R22 etc).
- SIKELAN oil receivers are CE listed.

◆主要特点 / Construction

- 2到3个带浮球的视镜，随时检查油位高低
- 2个旋转截止阀，检测口为1/4"螺纹口，可方便地加油或放油。这两个阀出厂不会安装在储油器上，单独包装放在包装箱内，并有适用的垫片。客户可以根据安装位置自行安装阀门。
- 顶部或中间留有1个3/8"SAE螺纹接口方便安装油压差止回阀。储油器出厂不带油压差止回阀，客户可以根据需要购买斯柯兰的油压差止回阀（压差为0.13Mpa），将止回阀安装到3/8"螺纹口上，储油器和止回阀间需使用聚四氟乙烯（PTFE）垫片。

SIKELAN oil receivers are supplied with:

- Two/Three sight glasses with level indicator balls inside, to check the oil level in the receiver. These glasses are already screwed on the vessel.
- Two rotalock valves to easy connect oil fill and oil drain. These glasses are not mounted on the receiver but are supplied in the package, completed by the proper gaskets. The customer can assemble the rotalock valves on the receiver according to his preferred working position.
- A 3/8" SAE Flare connection on the top of the receiver to allow the assembling of a pressure differential check valve. Pressure differential check valve is not supplied with receiver; if it's necessary to maintain a positive differential pressure between the receiver and the compressor crankcase the customer can select SIKELAN Pressure differential check valve. Screw the differential valve onto the 3/8" SAE connection, remember to use PTFE gasket between receiver and valve. The receiver body is manufactured from steel pipe of adequate thickness. Top and bottom are also made from carbon steel.

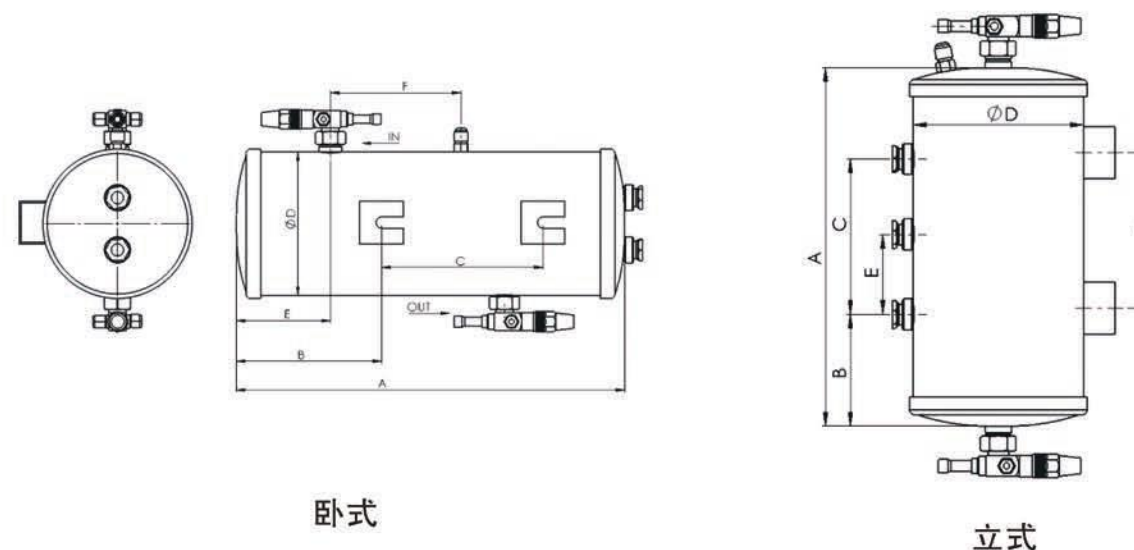
◆安装说明 / Installation

新系统投入使用时需加油至储油器顶部或中间（如果有3个视镜）视镜位置。制冷系统刚工作的前两个工作日，油量必须维持在两个视镜中间的位置，因为油被制冷剂或低压端管道吸附，有可能需要多次加油。制冷系统在达到平衡的时候，每次系统维护的时候必须检测储油器的油位，如果油位低于底部的视镜则必须加油，如果油位高于顶部的视镜则必须放油。

当增加或更换储油器到现有系统时，油位必须在底部的视镜的顶部位置。在系统开始工作的时候，前两个工作日内必须随时监测油位，如果油位低于底部的视镜则必须加油，如果油位高于顶部的视镜则必须放油。

On new system start-up oil should be added to the oil receiver to the upper (or middle) sight glass. During the first two working days of the refrigerating system, oil should be added to maintain a level between the two sight glasses. This procedure may require several charges as the oil is adsorbed in the refrigerant and coats the low side tubing. When the refrigerating system is balanced the oil level in the receiver must be controller during every maintenance inspection and oil should be added again if level falls below the lower sight glass.

When adding or replacing an oil receiver to an existing system, it should only be filled to the top of the lower sight glass. As the system is placed into operation, the oil level should be observed during the first two days. If the level decreases below the lower sight glass, some oil should be added to the receiver. If the level rises above the upper sight glass, some oil should be drained from the receiver.

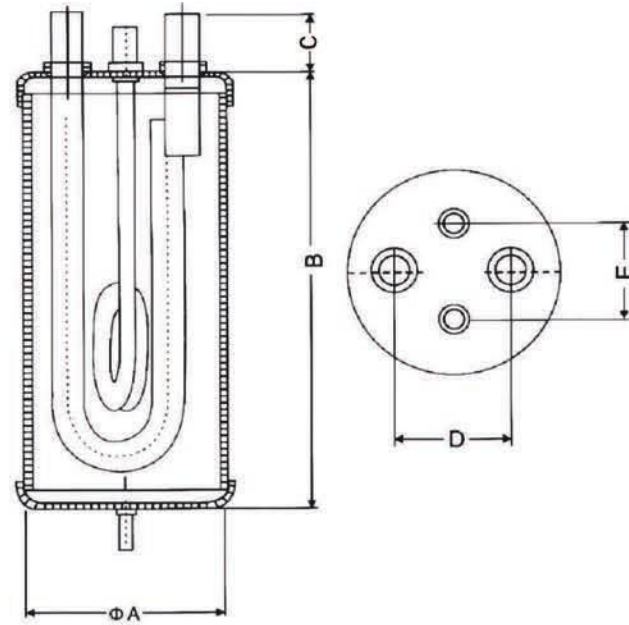


◆技术说明 / Specification:

型号 MODEL	接口尺寸(IN) Inlet & Outlet	A(mm)	B(mm)	C(mm)	D(mm)	E(mm)	F(mm)	视镜数量 Sight Glasses Qty	容积 Oil storage volume(L)
SPLC-Y6	3/8	338	94	150	165	-	-	2	6
SPLC-Y8	3/8	438	109	220	165	-	-	2	8
SPLC-Y10	3/8	548	131	285	165	-	-	2	10
SPLC-Y12	3/8	638	139	360	165	-	-	2	12
SPLC-Y14	1/2	738	110	518	165	259	-	3	14
SPLC-Y19	1/2	580	140	300	219	-	-	2	19
SPLC-Y23	5/8	700	140	420	219	210	-	3	23
SPLC-Y10CL	3/8,1/2	548	144	260	165	90	208	2	10
SPLC-Y20CL	3/8,5/8	660	180	300	219	130	200	2	20

Частное предприятие "Юдипен-Холод" || +375296803378 || <https://купизапчасть.бел> || Минская обл., Минский р-н, Щомыслицкий с/с, 92/4

5.1 SPLR 制冷用热交换气液分离器
5.1 SPLR HEAT EXCHANGER OF GAS-LIQUID SEPARATOR FOR REFRIGERATION



热交换气液分离器提供了结构坚固的整个管路，最大限度地防止制冷剂的流失。
SPLR Heat exchanger offers a whole pipeline of solid construction, preventing the wastage of refrigeration amount to the utmost extent.

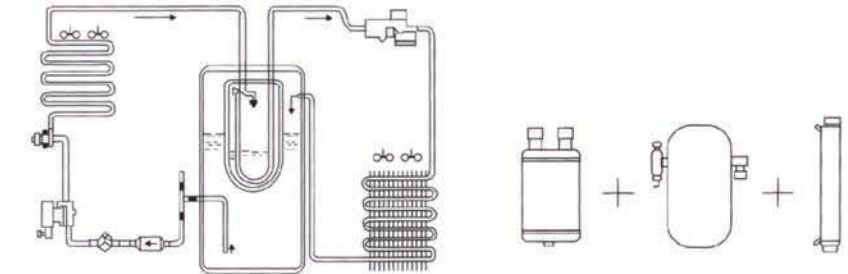
◆ 特征 / Feature:

- ◎ 吸气路的焊口范围从1/2" 到2-1/8"
- ◎ 热交换器的管路范围从3/8" 到1-1/8"
- ◎ 耐腐蚀喷塑
- ◎ 节省制冷剂量
- ◎ 适用多种制冷剂R-12, R-134a, R-22, R-404A, R-407C, R-410A, R-500, R-502, R-507等
- ◎ 最大工作压力: 3.1Mpa/450Psig, 通过了UL和CE认证
- ◎ The welded range of gas suction line from 1/2" to 2-1/8"
- ◎ The pipeline ranges of the heat exchanger from 3/8" to 1-1/8"
- ◎ Corrosion resistant painting
- ◎ Saving refrigerant capacity
- ◎ For a variety of refrigerant R-12, R-134a, R-22, R-404A, R-407C, R-410A, R-500, R-502, R-507
- ◎ Maximum operating pressure: 3.1Mpa/450Psig, With the UL and CE certification

◆ 技术说明 / Specification:

型号 MODEL	A(IN)	B(IN)	C(IN)	D(IN)	E(IN)	吸气管 焊接口 SUCTION LINE ODF	液管管 焊接口 LIQUID LINE ODF	名义制冷量(冷吨) NORMAL REF CAPACITY (TONS)		
								R-134a	R-22	R404-R507
SPLR-2404	4	8.47	1.38	2.08	2.37	1/2	3/8	3	2.7	2.8
SPLR-2405	4	10.83	1.38	2.12	2.37	5/8	3/8	4.4	4	4.2
SPLR-2406	5.5	10.24	1.58	3.14	2.72	3/4	1/2	6.5	6	6.1
SPLR-2407	5.5	12.6	1.58	3.19	2.72	7/8	1/2	8.5	7.8	8
SPLR-2411	6.5	15.75	1.96	3.11	3.74	1-1/8	5/8	13.5	12	12.5
SPLR-2413	6.5	20.87	2.16	3.13	3.15	1-3/8	3/4	18	16.5	17
SPLR-2415	6.5	22.84	2.36	3.23	3.19	1-5/8	7/8	23	21	22
SPLR-2417	6.5	22.63	2.36	3.23	3.19	2-1/8	1-1/8	25	23	21

5.2 SPLS 贮液, 积液, 省能热交换器
5.2 SPLS HEATING EXCHANGERS OF LIQUID RECEIVER & LIQUID ACCUMULATOR



贮液及积液省能热交换器采用液分离器, 贮液器和热交换器组合设计, 能有效调节系统液体流量功能, 更能发挥冷冻能力, 保证压缩机的最佳运行。

Heating exchanger of liquid receiver, liquid accumulator and saving energy is composed of liquid accumulator, liquid receiver and heating exchanger. It can effectively adjust the liquid flowing capacity and its better refrigeration ability, so as to guarantee a best operation of the compressor.

◆ 特征 / Feature:

- ◎ 节省用电: 将旧式低压液分离滴水而浪费的冷度和电力完全回收到低压贮液器体内而增强冷度, 又节省用电
- ◎ 增强冷冻效果: 因高压贮液器和低压液分离器内之冷媒, 进行热交换而产生过冷却和适当过热, 使循环中的冷媒(焓)值增加, 在蒸发时能发挥到最大冷冻能力
- ◎ 避免液压缩, 确保没有液体回流到压缩机中引起液体压缩
- ◎ 不滴水免保温
- ◎ 省工省料省空间
- ◎ 增加价值感, 提升整机美观, 没有滴水润滑, 发霉发臭, 污染周围环境等现象
- ◎ 适用多种制冷剂R-12, R-134a, R-22, R-404A, R-407C, R-410A, R-500, R-502, R-507等
- ◎ 最大工作压力: 3.1Mpa/450Psig, 通过了UL和CE认证
- ◎ Electric energy saving: Completely recovering the cooling temperature and electrical power, which are wasted due to water dripping for old type of low liquid pressure separating, to the high pressure liquid receiver so as to cool off the liquid and save electric energy
- ◎ Increasing the refrigeration effect: Because the refrigerant, which is in the high-pressure liquid receiver and in the low-pressure liquid separator, will make the heat exchanging, and will be over refrigerated or over heated between them, it makes the refrigerant (enthalpy) capacity in the circulation increased. When evaporated it will receive a best refrigeration capability
- ◎ Avoiding the liquid compression: Assure that no liquid returns to the compressor and cause liquid compressed
- ◎ No water dripping and free of the heat preservation
- ◎ Saving works, saving materials and saving space
- ◎ Increasing the worth feeling, promoting the whole appliance beauty, there is no phenomena such as water dripping and lubricating, going moldy and smelly, polluting environments round etc
- ◎ For a variety of refrigerant R-12, R-134a, R-22, R-404A, R-407C, R-410A, R-500, R-502, R-507
- ◎ Maximum working pressure: 3.1Mpa/450Psig, With the UL and CE certification

型号 MODEL	运用马力 COMPRESSOR (HP)	蒸发温度 EVAPORATING TEMP. (°C)	高压储液器 HIGH PRESSURE CAPACITY (L)	低压储液器 LOW PRESSURE CAPACITY (L)	高压口径 HIGH PRESSURE CONN.(IN)	低压口径 LOW PRESSURE CONN.(IN)	外型尺寸(英寸) OVERALL DIMENSIONS (MM)		
							长 LENGTH	宽 WIDTH	高 HEIGHT
SPLS-304	1	5	0.9	0.5	3/8	1/2	150	150	260
	3/4	-10							
SPLS-305	2	5	1.7	0.8	3/8	5/8	190	190	242
	1.5	-10							
SPLS-307	1	-30	3.2	2.4	3/8	7/8	210	210	330
	5	5							
SPLS-411	3	-10	4.5	4.2	1/2	1-1/8	250	250	360
	2	-30							
SPLS-513	10	5	5.8	5.2	5/8	1-3/8	270	270	420
	7.5	-30							
SPLS-515	15	5	8	6.3	5/8	1-5/8	270	270	500
	20	5							
SPLS-721	15	-10	12	10	7/8	2-1/8	340	340	550
	10	-30							
	40	5							
	30	-10							
	20	-30							

Частное предприятие "Юдипен-Холод" || +375296803378 || <https://купизапчасть.бел> || Минская обл., Минский р-н, Щомыслицкий с/с, 92/4

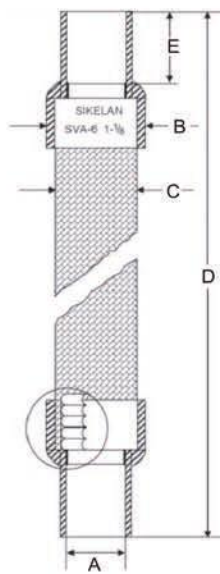
Частное предприятие "Юдилен-Холод" || +375296803378 || <https://купизапчасть.бел> || Минская обл., Минский р-н, Щомыслицкий с/с, 92/4

6.1 SVA 系列避震管
6.1 SVA SERIES VIBRATION ABSORBER

6.2 家用分体空调不锈钢连接软管
6.2 FLEXIBLE STAINLESS STEEL HOSE FOR AIR CONDITIONER

- 1 “斯柯兰” SVA系列避震管被设计用于安装在空调和制冷系统的吸气和排气管路上的,用于减少由于压缩机震动对固定管路的损害
2. 避震管是由深度褶皱的不锈钢管制作而成,以增加管子的灵活性和吸收震动的功能,避震管的外部由高强度不锈钢网编织而成
3. 避震管的不锈钢波纹管与外面的不锈钢网套在两端处并加固,并连接到内螺纹的紫铜管由高温黄铜焊接而成
4. 每一根 “斯柯兰” 避震管都经过压力测试,通过用高敏感的氦气及光学计进行抽真空测试

- 1.SIKELAN Vibration Absorber model SVA series are designed to install in the suction and discharge lines of air conditioning and other refrigeration systems to reduce vibration in the transmission of compressor-induced vibration through system piping
- 2.SIKELAN Vibration Absorber are produced by deep pitch corrugated rubbing for increasing flexibility and vibration absorption,covered by high tensile wire braid for superior strength
- 3.The tubing and braid are reinforced by ferrules at each end, and connected to a female copper tube end by high temperature of brazed alloys
- 4.Each SIKELAN Vibration Absorber is tested for pressure and then carefully vacuum tested by using a highly sensitive helium mass spectrometer leak detection device

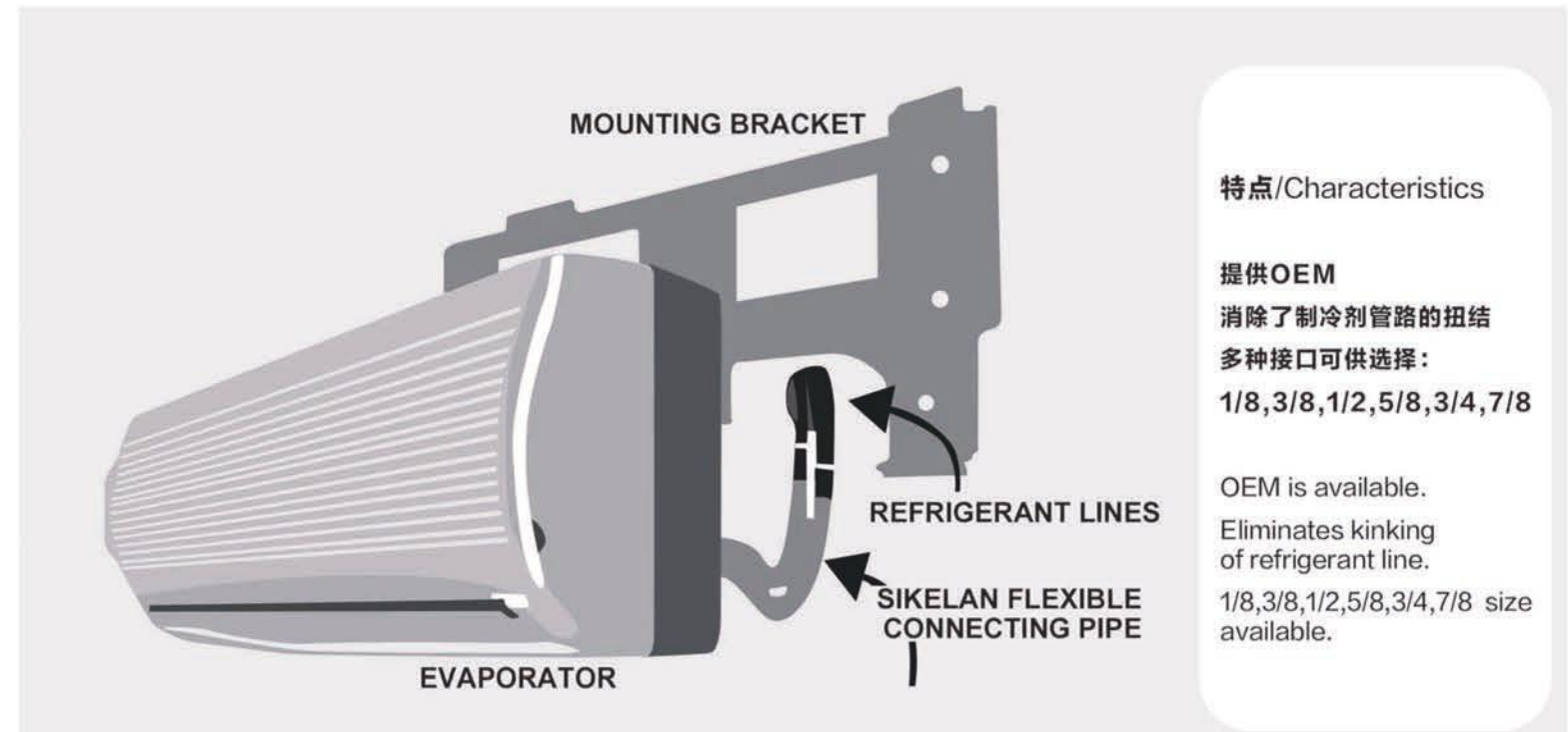


◆ 特征 / Feature:

- 提供OEM 生产
- 有公制接头尺寸和英制接头尺寸供客户选择
- 金属箍和铜接口由高质量,特殊定制的紫铜管焊接而成
- 软管主体和铜连接处由高质量的焊接材料焊接而成
- 所有的零部件都经过精心清洁和脱水处理
- 所有产品经过抽真空,压力测试,精心清洁,脱水处理后包装到塑料代内
- 所有基础零部件经过物理和化学检查
- 所有零部件在生产的不同阶段都进行严格的检查和验收
- 结构精密
- OEM is available
- Size are available in both in metric and inch units
- The ferrule and tube end part are made from copper
- Hose and copper rube are brazed welded
- All parts have been cleaned and dehydrated for refrigeration service
- Each pressure and vacuum unit has been tested, cleaned ,dehydrated and sealed in plastic film
- A completed physical and chemical analysis of all basic components
- Components have been checked and inspected during various phases fo assembly
- Precise end sized and Perfect inspectionv

型号 MODEL	波纹管 FLEXIBLE TUBING	网套 WIRE BRAID	金属箍 FERRULE	管端 TUBE END
SVA-1thru 13	304 不锈钢 STAINLESS STEEL 304	304不锈钢 STAINLESS STEEL 304	铜 COPPER	铜 COPPER

型号 MODEL	接口 (英寸) NORMAL SIZE (IN)	重量 WEIGHT(G)	尺寸 DIMENSION(IN)					最大工作压 MAX WORKING PRESSURE (PSIG)	爆破压力 BURST PRESSURE (PSIG)
			A(I.D)	B(±1/8)	C(±1/8)	D(±1/4)	E(±1/16)		
SVA-1	3/8	130	3/8	3/4	5/8	8-1/4	11/16	500	2500
SVA-2	1/2	135	1/2	7/8	3/4	8-7/8	13/16	500	2500
SVA-3	5/8	200	5/8	1	7/8	9-13/16	1	500	2500
SVA-4	3/4	220	3/4	1-1/8	1	10-1/2	1-5/16	500	2500
SVA-5	7/8	260	7/8	1-3/8	1-1/4	12	1-7/16	500	2500
SVA-6-1	1	260	1	1-5/8	1-1/2	12-11/16	1-9/16	500	2500
SVA-6	1-1/8	400	1-1/8	1-5/8	1-1/2	12-1/4	1-3/4	500	2500
SVA-7	1-3/8	550	1-3/8	2	1-7/8	15-3/16	2	500	2500
SVA-8	1-5/8	920	1-5/8	2-3/8	2-1/4	17-1/8	1-5/16	500	2500
SVA-9	2-1/8	1335	2-1/8	2-7/8	2-3/4	20-7/8	2-3/4	390	1950



特点/Characteristics

提供OEM
消除了制冷剂管路的扭结
多种接口可供选择:
1/8,3/8,1/2,5/8,3/4,7/8

OEM is available.
Eliminates kinking of refrigerant line.
1/8,3/8,1/2,5/8,3/4,7/8 size available.

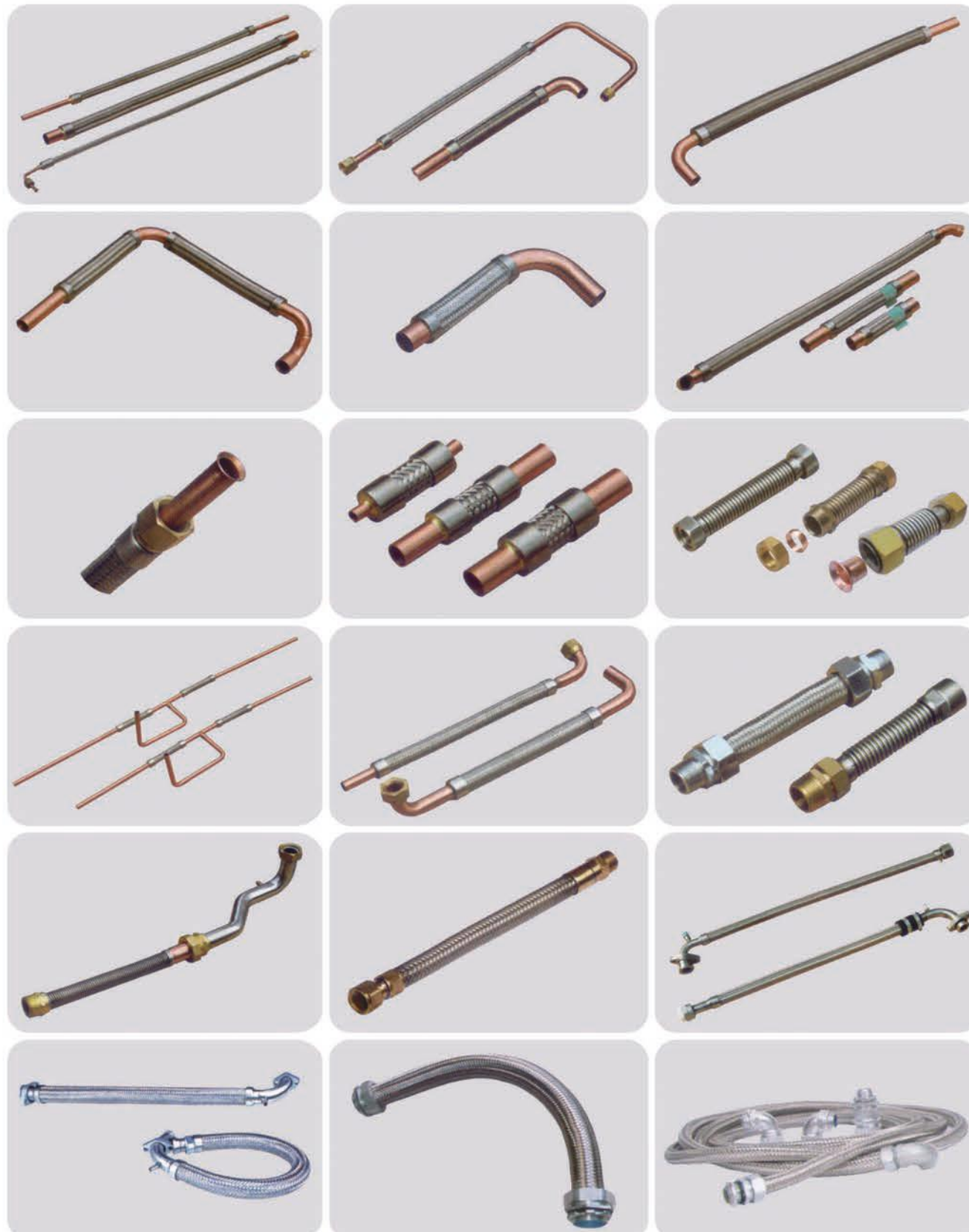


Частное предприятие "Юдилен-Холод" || +375296803378 || <https://купизапчасть.бел> || Минская обл., Минский р-н, Щомыслицкий с/с, 92/4

Частное предприятие "Юдипен-Холод" || +375296803378 || <https://купизапчасть.бел> || Минская обл., Минский р-н, Щомыслицкий с/с, 92/4

家用分体空调不锈钢连接软管
FLEXIBLE STAINLESS STEEL HOSE FOR AIR CONDITIONER

家用分体空调不锈钢连接软管基本参数
FLEXIBLE STAINLESS STEEL HOSE FOR AIR CONDITIONER PARAMETERS



规格 Nominal size		内径 ID(mm)	外径 OD (mm)		最小弯曲半径 Bend R(min) (mm)		公称压力PN (Mpa)	
mm	inch		波纹管Bellow	带一层网Hose	静态Static	动态Dynamic	一层网1p	二层网2p
6.35	1/8	8.1	12.4	13.6	32	100	15	20
9.52	3/8	10.2	14.1	15.6	38	115	15	20
12.7	1/2	13.2	17.1	18.7	45	130	12	15
15.88	5/8	16.2	21.3	22.9	58	145	10	15
19.05	3/4	20.2	26.7	28.3	70	170	6.3	10
22.23	7/8	25.2	31.7	33.3	85	195	6.3	10

※长度可以任意定制

※LENGTH CAN BE CUSTOMIZED

1. SIKELAN 空调不锈钢连接软管采用连接螺旋波形 SUS304 或 SUS316 不锈钢波纹管精制而成。这两种螺旋波纹管具有耐腐蚀、耐高温、柔软性好、寿命长等特点。
2. 在承受较高压力的情况下能保持良好的柔软性，平滑的内壁保证介质具有良好的流动状态，螺旋型连续波纹的引流状态下，使冷媒在较高流速下避免产生啸叫现象。
3. 该产品用于制冷剂管路和蒸发器的连接，安装简便，避免扭结。

1. SIKELAN flexible refrigerant line connector is made by SUS304 flexible hose with spiral type of wave or SUS316, which is anti-corrosion, high pressure-resistant, aging-resistant and high flexibility.
2. It could remain excellent elasticity in circumstance of high pressure, its cleaning inner surface could help refrigerant smoothly flow. The drainage of spiral waves of corrugated hose could avoid the queer noise when refrigerant flows with high speed.
3. SIKELAN flexible refrigerant line connector that allows easier, kink free connections between the refrigerant line and wall mounted mini split evaporator.



Частное предприятие "Юдипен-Холод" || +375296803378 || <https://купизапчасть.бел> || Минская обл., Минский р-н, Щомыслицкий с/с, 92/4

Частное предприятие "Юдипен-Холод" || +375296803378 || <https://купизапчасть.бел> || Минская обл., Минский р-н, Щомыслицкий с/с, 92/4

波纹金属避震软管耐腐蚀表
FLEXIBLE STAINLESS STEEL HOSE corrosion resistant table

	软管材料 Material of hose				软管材料 Material of hose			
	SUS304	SUS316L	PTFE		SUS304	SUS316L	PTFE	
无机酸 Inorganic acid	硫酸 (H ₂ SO ₄)(95%~100%)	○	○	○	碳酸钾 (K ₂ CO ₃)	○	○	○
	硫酸 (H ₂ SO ₄)(80%~95%)	△	△	○	碳酸钙 (CaCO ₃)	○	○	○
	硫酸 (H ₂ SO ₄)(40%~80%)	×	×	○	碳酸铵 ((NH ₄) ₂ CO ₃)	○	○	○
	无水硫酸 (常温Normal Temperature)	△	△	○	碳酸氢铵 (NH ₄ HCO ₃)	○	○	○
	无水硫酸 (沸Boiling)	△	△	○	硝酸银 (AgNO ₃)	○	○	○
	盐酸 (HCl)($<5\%$)	×	×	○	硝酸锌 (Zn(NO ₃) ₂)	○	○	○
	盐酸 (HCl)($\geq 5\%$)	×	×	○	次氯酸钙 (Ca(ClO) ₂) (漂白粉)	×	○	○
	碳酸 (H ₂ CO ₃)	○	○	○	氯化铵 (NH ₄ Cl)	△	○	○
	硝酸 (HNO ₃) ($\leq 65\%$ 常温Normal Temperature)	○	○	○	氯化锌 (ZnCl ₂)	○	○	○
	硝酸 (HNO ₃) ($\geq 65\%$ 沸Boiling)	△	△	○	氯化钠(食盐) (NaCl)	×	×	△
	浓硝酸 (HNO ₃)(常温Normal Temperature)	△	△	○	氯化钾 (KCl)	×	×	○
	浓硝酸 (HNO ₃)(沸Boiling)	×	×	○	氯化铝 (Al ₂ Cl ₆)	×	×	○
	磷酸 (H ₃ PO ₄)($\leq 5\%$)	○	○	○	氯化镁 (MgCl ₂)	×	×	○
	磷酸 (H ₃ PO ₄)(5%~25%)	×	△	○	氯化亚铁 (FeCl ₂)	×	×	○
	磷酸 (H ₃ PO ₄)(25%~50%)	×	×	○	氯化钡 (BaCl ₂)	×	×	○
	硼酸 (H ₃ BO ₃)	○	○	○	高锰酸钾 (KMnO ₄)	○	○	○
	烧碱 (NaOH)	○	○	○	盐酸混合物 Mixture of Muriatic Acid	○	○	○
	无机碱 Inorganic alkali	氢氧化铝 (Al(OH) ₃)	○	○	○	溴化铵 (NH ₄ Br)	△	○
氢氧化钙 (Ca(OH) ₂)		○	○	○	硫化钾 (K ₂ S)	○	○	○
氢氧化钾 (KOH)($\leq 10\%$)		○	○	○	二硫化碳 (CS ₂)	○	○	○
氢氧化钾 (KOH)(10%~70%)		△	△	○	硫化氢 (H ₂ S) (干Dry)	○	○	○
氢氧化钾 (KOH)(90%沸)		×	×	○	硫化氢 (H ₂ S) (湿Wet)	△	△	○
苏打 (Na ₂ CO ₃)		△	△	○	硫磺 (S) (干/湿Dry/Wet)	○/×	○	○
苏打 (Na ₂ CO ₃)		×	×	○	硫磺 (S) (溶液/喷雾Solution/Mist)	×	△/×	○
氢氧化钡 (Ba(OH) ₂)		△	○	○	二氧化硫 (SO ₂) (干/湿Dry/Wet)	×/×	△/×	○
硫酸锌 (ZnSO ₄)		○	○	○	过氧化氢 (H ₂ O ₂) (常温/沸)	○/△	△	○
硫酸钙 (CaSO ₄)		○	○	○	二氧化碳 (CO ₂) (干/湿Dry/Wet)	○	○	○
无机盐 Inorganic salt	硫酸铜 (CuSO ₄)	△	△	○	氧气 (O ₂)	○	○	○
	硫酸钠 (Na ₂ SO ₄) (5%)	△	△	○	氮气 (N ₂)	○	○	○
	浓硫酸钠 (Na ₂ SO ₄)	○	○	○	溴 (Br ₂)	×	×	×
	硫酸钡 (BaSO ₄)	△	△	○	氯气 (Cl ₂)	×	△/×	○
	硫酸铵 ((NH ₄) ₂ SO ₄)(1%, 5%, 融Melting)	×	△	○	氨气 (NH ₃) (热Hot)	○	○	△
	硫酸铝 (Al ₂ (SO ₄) ₃)(常温Normal Temperature)	○	○	○	氨水 (NH ₃ ·H ₂ O)(常温Normal Temperature)	○	○	○
	硫酸铝 (Al ₂ (SO ₄) ₃)(沸Boiling)	△	○	○	氟 (F ₂)	×	×	○
	硫酸钾铝 (KAl(SO ₄) ₂)(常温Normal Temperature)	○	○	○	水银 (Hg)	○	○	○
	硫酸钾铝 (KAl(SO ₄) ₂)(沸Boiling)	△	○	○	混合物 Mixture			
					蒸汽 Vapour	○	○	×
					水 Water	○	○	△
					海水 Sea Water	×	×	○
醇类 Alcohol	甲醇 (CH ₃ OH)(沸Boiling)	×	△	○	醋酸乙烯 Vinyl acetate	○	○	○
	乙醇 (C ₂ H ₅ O)(酒精)	○	○	○	草酸铵 Ammonium oxalate	○	○	○
	丙三醇 (甘油)	○	○	○	氯乙烯 Vinyl chloride	○	○	○
	甘油 (CH ₂ OH)	△	○	○	三氯乙烯(干) Trichlorethylene(Dry)	○	○	○
有机酸 Organic acid	甲酸 (CH ₂ O ₂)(蚁酸)	△	○	○	三氯乙烯(湿) Trichlorethylene(Wet)	×	×	○
	乙酸 (C ₂ H ₄ O ₂)(醋酸)(常温)	△	○	○	氢仿 (CHCl ₃ +H ₂ O)	○	○	○
	乙酸 (C ₂ H ₄ O ₂)(醋酸)(沸Boiling)	×	×	○	四氯化碳(干) (CCl ₄)(Dry)	○	○	○
	乙二酸 (C ₂ H ₂ O ₄)(草酸)(常温)	○	○	○	四氯化碳(湿) (CCl ₄)(Wet)	×	×	○
	乙二酸 (C ₂ H ₂ O ₄)(草酸)(沸)	×	×	○	清漆 Varnish	○	○	△
	丁酸 butyric acid	○	○	○	树脂 Resin	○	○	△
	柠檬酸 (C ₆ H ₈ O ₇)	○	○	○	淀粉水溶液 Starch Solution	○	○	×
	酒石酸 ($\leq 50\%$)	○/△	○	○	蔬菜汁 Vegetable Juice	○	○	×
醚酮类 Ether ketone	甲醛水 (CH ₂ O+H ₂ O)(福尔马林)	○	○	○	葡萄酒 Wine	○	○	×
	乙醚 (C ₄ H ₁₀ O)	○	○	○	酵母 Yeast	○	○	×
	丙酮 (C ₃ H ₆ O)	○	○	○	食醋 Vinegar	○	○	×
烃类 Hydrocarbon	甲烷 (CH ₄)(冷冻液Freezing Liquid)	○	○	×	乳酸 Lactic Acid	△	○	×
	乙烷 (C ₂ H ₆)	○	○	○	原油 Crude oil	○	○	×
	丙烷 (C ₃ H ₈)	○	○	○	焦油 Tar	○	○	×
	丁烷 (C ₄ H ₁₀)	○	○	○	汽油 Gasoline	○	○	×
	乙炔 (C ₂ H ₂)	○	○	○	石脑油 Naphtha	○	○	×
	苯 (C ₆ H ₆)	○	○	○	热石蜡 Hot Paraffin	○	○	×
	苯胺 Benzene ammonium	○	○	○	沥青 Asphalt	○	○	×
	苯甲酸 (C ₇ H ₆ O ₂)	○	○	○				
苯酚 (C ₇ H ₆ O)	○	○	○					

○良Good △一般General ×差Bad

6.3家用空调不锈钢出水管系列
6.3 HOUSEHOLD AIR CONDITIONER STAINLESS STEEL OUTLET PIPE SERIES

- 1.适用制冷剂: R22、R407C、R410A等;
- 2.适用介质温度-30℃~+120℃;
- 3.盐雾试验500h以上不生锈;
- 4.焊接采用不锈钢专用炉钎焊工艺, 成熟稳定, 并经4.5MPa压力的气密性实验不泄露, 轴管表面镜面抛光处理, 美观、实用、耐腐蚀性强;
- 5.铜管弯曲部的变形率在15%以内, 内侧无折纹。
- 6.弯曲角度在90°时, 公差±1.5°以内;
- 7.可根据客户要求来图来样加工;

1. Applicative refrigeration preparation: R22, R407C, R410A, etc
2. Applicative media temperature: -30℃—+120℃
3. Salt spray test: over 500h not rust
4. Adoption with stainless steel special welding technology, mature and stable, and air tightness test by 4.5Mpa pressure without leakage, the shaft tube surface is polished in passivation treatment, beautiful, practical, better resistance to rust;
5. The copper pipe deformation rate within 15% without crease inside;
6. When the bending angle is in the 90 degree, the common difference is within ±1.5;
7. According to customer requirements and plans to sample processing



家用空调不锈钢进水管系列
HOUSEHOLD AIR CONDITIONER STAINLESS STEEL INLET PIPE SERIES

- 1.适用制冷剂: R22、R407C、R410A等;
- 2.适用介质温度-30℃~+120℃;
- 3.盐雾试验500h以上不生锈;
- 4.焊接采用不锈钢专用炉钎焊工艺, 成熟稳定, 并经4.5MPa压力的气密性实验不泄露, 轴管表面镜面抛光处理, 美观、实用、耐腐蚀性强;
- 5.铜管弯曲部的变形率在15%以内, 内侧无折纹。
- 6.弯曲角度在90°时, 公差±1.5°以内;
- 7.可根据客户要求来图来样加工;

1. Applicative refrigeration preparation: R22, R407C, R410A, etc
2. Applicative media temperature: -30℃—+120℃
3. Salt spray test: over 500h not rust
4. Adoption with stainless steel special welding technology, mature and stable, and air tightness test by 4.5Mpa pressure without leakage, the shaft tube surface is polished in passivation treatment, beautiful, practical, better resistance to rust;
5. The copper pipe deformation rate within 15% without crease inside;
6. When the bending angle is in the 90 degree, the common difference is within ±1.5;
7. According to customer requirements and plans to sample processing



Частное предприятие "Юдилен-Холод" || +375296803378 || <https://купизапчасть.бел> || Минская обл., Минский р-н, Щомыслицкий с/с, 92/4

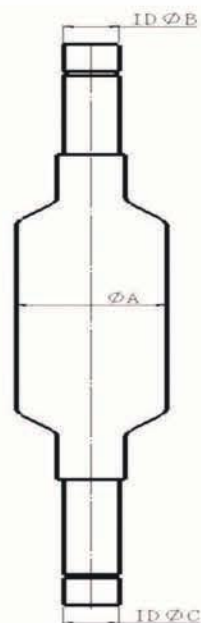
6.4 家用空调消音器系列
6.4 HOUSEHOLD AIR CONDITIONING SILENCER SERIES

不锈钢制消声器是一种能阻碍声音传播而让气流通过的、防治空气动力性噪声的消声设备。产品经广大用户使用，消声效果良好，消声量可达35dB。

可根据实际安装要求定制不同尺寸的产品。

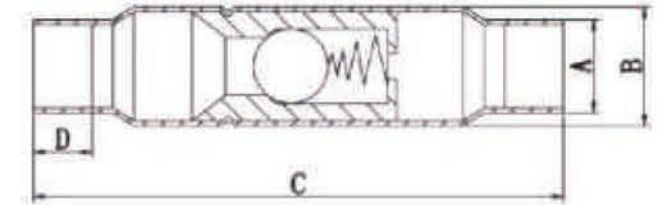
The iron, stainless steel muffler device is a equipment, which can hinder the sound propagation and can allow the air flow go through, prevention and control the aerodynamic noise. Used by the vast number of users, all products show good effect silencing, the muffling volume is up to 35dB.

According to the actual installation requirements to custom-tailor different sizes of products.



型号 MODEL	筒体规格 (CYLINDER SPECIFICATIONS) (直径)(IN)A	接口尺寸(CONNECTION SIZE)(IN)	
		ΦB	ΦC
6001	2.36	0.74	0.74
6002	2.36	0.63	0.50
5401	2.00	0.63	0.38
5402	2.00	0.50	0.25
4001	1.57	0.50	0.50
4002	1.57	0.50	0.38
3001	1.18	0.50	0.25
3002	1.18	0.38	0.25
3003	1.18	0.38	0.25
2501	1.00	0.38	0.25
2502	1.00	0.31	0.25
2503	1.00	0.25	0.25
2504	0.83	0.38	0.25
2201	0.83	0.31	0.25
2202	0.83	0.25	0.25
2203	0.63	0.38	0.25
1901	0.63	0.31	0.25
1902	0.63	0.25	0.25
1903	0.50	0.38	0.25
1301	0.50	0.25	0.25
1302	0.47	0.25	0.25

7.1 SPLF-DG钢珠式单向阀系列
7.1 SPLF-DG STEEL BALL TYPE CHECK VALVE



◆特点 / Features

- 铜管接头3/8" 至1-1/8" 英寸
- 全密封设计
- 适用于HFC/HCFC/CFC制冷剂和相应的冷冻油
- 可以安装于管路任何位置
- UL/CUL 认证 (SA5312)
- 内部40目的不锈钢滤网
- Copper fittings 3/8" to 1-1/8" inch
- Fully sealed design
- For use with HFC/HCFC/CFC refrigerants
- Can be installed anywhere in the pipeline
- UL CUL listed (Sa5312)
- Internal 40 mesh stainless steel strainer

◆安装说明 / Installation

- 安装应由具有相应知识和技能的人来进行;
- 安装前应确保系统压力已被释放至大气压力;
- 保证制冷剂按照产品上的方向安装;
- 焊接前,请清洁焊接面并考虑加助焊剂;
- 阀体本身需用湿布包裹,以防过热;
- 焊接火焰应避免开阀体本身
- Installation should be carried out by people with the appropriate knowledge and skills,
- Ensure that system pressure has been released to atmospheric pressure before installation;
- Assure the flow arrow in the direction of desired flow;
- Clean and prepare joints. Flux if necessary;
- Wrapped with a wet cloth to the valve body to prevent overheating of internal components;
- Direct the flame away from the valve body to prevent overheating.

◆技术说明 / Specification:

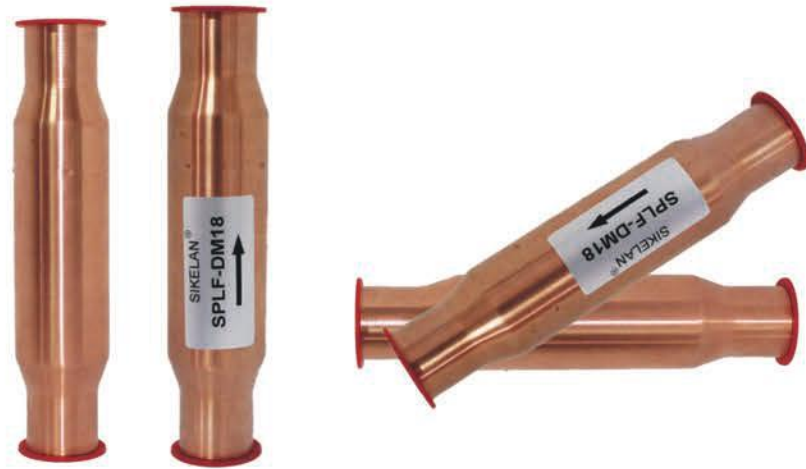
型号 MODEL	最大工作压力(MPa) MAX. WORKING PRESSURE (MPA)	耐压(MPa) PRESSURE RESISTANCE (MPA)	开启压力(MPa) OPEN PRESSURE (MPA)	内泄流量cm ³ /min(air) LEAKAGE CM ³ /MIN	流通量 turn volume	2PST压降的流量 (冷区) 2PST pressure drop flow (cold zone)		
						R-12	R-22	R-502
SPLF-DG06	4.5	21.5	0.02	300	≥750	3.8	5.0	3.3
SPLF-DG08	4.5	21.5	0.02	300	≥750	6.8	9.0	6.0
SPLF-DG10	3.5	19.5	0.05	500	≥950	12.8	17.0	11.3
SPLF-DG14	3.5	19.5	0.05	500	≥1250	26.3	35.0	23.5
SPLF-DG18	2.8	14	0.065	500	≥1650	69.1	92.0	61.8

◆主要外形尺寸

型号 MODEL	接口内径 Φ A CONNECTION ODF		阀体直径 Φ B OD		长度C Length C		长度D Length D	
	inch	mm	inch	mm	inch	mm	inch	mm
SPLF-DG06	3/8	9.7	1/2	12.7	3.8	95.0	3/8	10.0
SPLF-DG08	1/2	12.8	5/8	16	3.7	95.0	3/8	10.0
SPLF-DG10	5/8	16.0	7/8	22.2	4.5	114.3	3/8	10.0
SPLF-DG14	7/8	22.4	1-1/8	28.6	4.5	114.3	3/8	10.0
SPLF-DG18	1-1/8	28.8	1-3/8	35.0	5.0	127.0	3/8	10.0

Частное предприятие "Юдипен-Холод" || +375296803378 || https://купизапчасть.бел || Минская обл., Минский р-н, Щомыслицкий с/с, 92/4

7.2 SPLF-DM 膜片式单向阀系列
7.2 SPLF-DM MAGNETIC CHECK VALVE



◆应用 / Applications

膜片式单向阀采用磁性膜片设计，金属和金属密封，应用于压缩机排气管路上，内部采用导向装置、自吸机构设计，从而使单向阀不受安装角度限制和反向压力大小的关系影响阀门的自动闭合。

SPLF-DM check valves can be used in liquid, suction & hot gas lines in refrigeration and air conditioning plants with fluorinated refrigerants. The valves ensure the correct flow direction and prevent back-condensation from a warm part of the system to the cold evaporator.

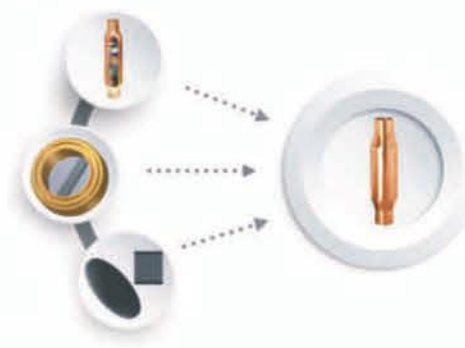
- 复合膜片设计
- 通体紫铜管的设计消除了泄漏
- 阀体中装有过滤网，兼备止回阀和过滤功能
- 逆向几乎零泄漏
- 极小的流通阻力，大流量，系统可忽略不计的损失效率
- 安装位置不受限制
- Composite diaphragm design
- The design of the whole body copper tube eliminates leakage
- Filter body in the valve body, with check valve and filter function
- Reverse almost zero leakage
- Minimal flow resistance, high flow rate, negligible loss efficiency
- Unlimited installation location

◆通体紫铜管设计 / Unibody design

整根紫铜管两端缩口成接管，不需要传统黄铜阀体的接管焊接工艺，确保无外漏。同时，成型加工简单，客户焊接方便。
Hermetic spun copper design;
Two ends shrink to connection, nearly zero internal leak rate;
Easy forming process and welding;

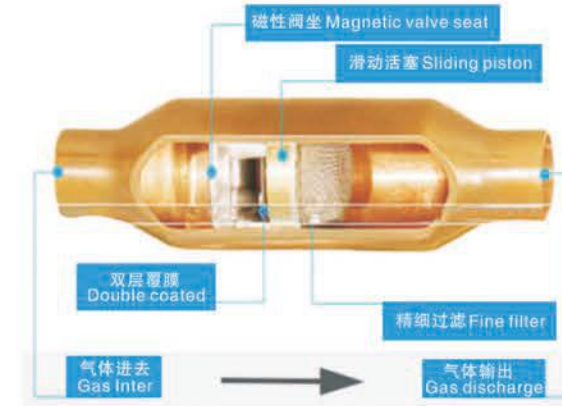
◆铝镍钴永磁铁 / Alnico Permanent magnetic

膜片索引采用高强度永磁铁材料-铝镍钴，在不容易生锈的同时可使单向阀以任何一个角度安装，都能保证较好的密封性。
The diaphragm traction adopts high strength permanent magnet-alnico, rust-proof and can be installed in any orientation;



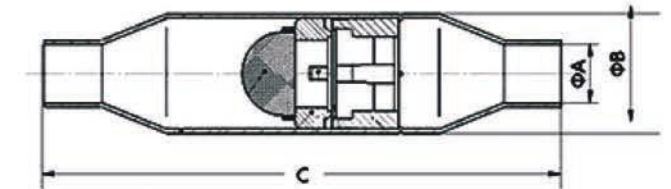
◆复合材料膜片设计 / Composite material diaphragm

采用优化橡胶与磁性钢片复合材料的膜片，耐高温，兼任各种常规制冷剂，包括R410A相比无膜层材料，其密封可靠性及对杂质包容性更强。
Compatible with all CFC, HCFC, HFC and associated oils, including this diaphragm has better sealing performance and stronger containment with impurities.



◆技术参数 / Technical specification

- 介质温度: -40℃~+130℃
- 产品认证: CE、UL认证
- Temperature of the medium: -40℃ - +130℃
- CE UL listed



◆技术说明 / Specification:

型号 MODEL	最大工作压力(Mpa) MAX. WORKING PRESSURE (MPA)	耐压(Mpa) PRESSURE RESISTANCE (MPA)	开启压力(Mpa) OPEN PRESSURE (MPA)	内泄漏量cm ³ /min(air) LEAKAGE CM ³ /MIN	工作温度(℃) WORKING TEMP.(°C)
SPLF-DM04	4.5	21.5	0.02	150	-30~120
SPLF-DM06	4.5	21.5	0.02	300	
SPLF-DM08	4.5	21.5	0.02	300	
SPLF-DM10	4.5	19.5	0.05	500	
SPLF-DM12	3.9	19.5	0.05	330	
SPLF-DM14	3.9	19.5	0.05	330	
SPLF-DM18	2.8	14	0.065	540	
SPLF-DM22	3.05	15.5	0.1	780	
SPLF-DM26	3.05	14.6	0.12	1220	
SPLF-DM34	2.8	14.0	0.21	1730	
SPLF-DM42	2.65	13.5	0.26	2300	
SPLF-DM50	2.65	13.5	0.26	2300	

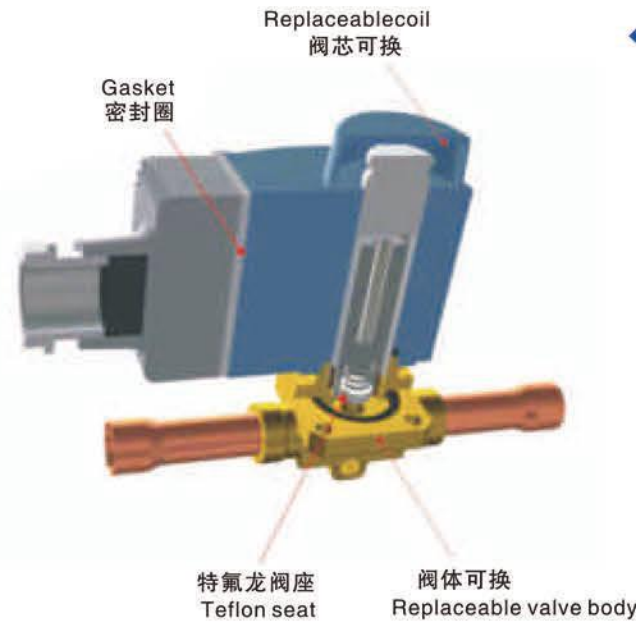
◆主要外形尺寸

型号 MODEL	接口内径ΦA CONNECTION ODF		阀体直径ΦB OD		长度C TOTAL LENGTH		制冷剂R410A(KW) R410A LIQUID REFRIGERATING(KW)
	inch	mm	inch	mm	inch	mm	
SPLF-DM04	1/4	6.35	7/8	22.2	4.02	102	6.8
SPLF-DM06	3/8	9.5	7/8	22.2	4.02	102	14.2
SPLF-DM08	1/2	12.7	1-1/8	28.6	5.00	127	38.2
SPLF-DM10	5/8	15.88	1-1/8	28.6	5.00	127	42.6
SPLF-DM12	3/4	19	1-5/8	41.3	7.01	178	79.7
SPLF-DM14	7/8	22.2	1-5/8	41.3	7.01	178	108.5
SPLF-DM18	1-1/8	28.6	2-1/8	54	8.39	213	188.5
SPLF-DM22	1-3/8	35	2-5/8	66.7	9.37	238	232.8
SPLF-DM26	1-5/8	41.3	3-1/8	80	10.51	267	397.7
SPLF-DM34	2-1/8	54	3-5/8	92	12.01	305	691.1
SPLF-DM42	2-5/8	66.7	4-1/8	105	12.99	330	-
SPLF-DM50	3-1/8	80	4-1/8	105	12.99	330.00	-

Частное предприятие "Юдипен-Холод" || +375296803378 || https://купизапчасть.бел || Минская обл., Минский р-н, Щомыслицкий с/с, 92/4

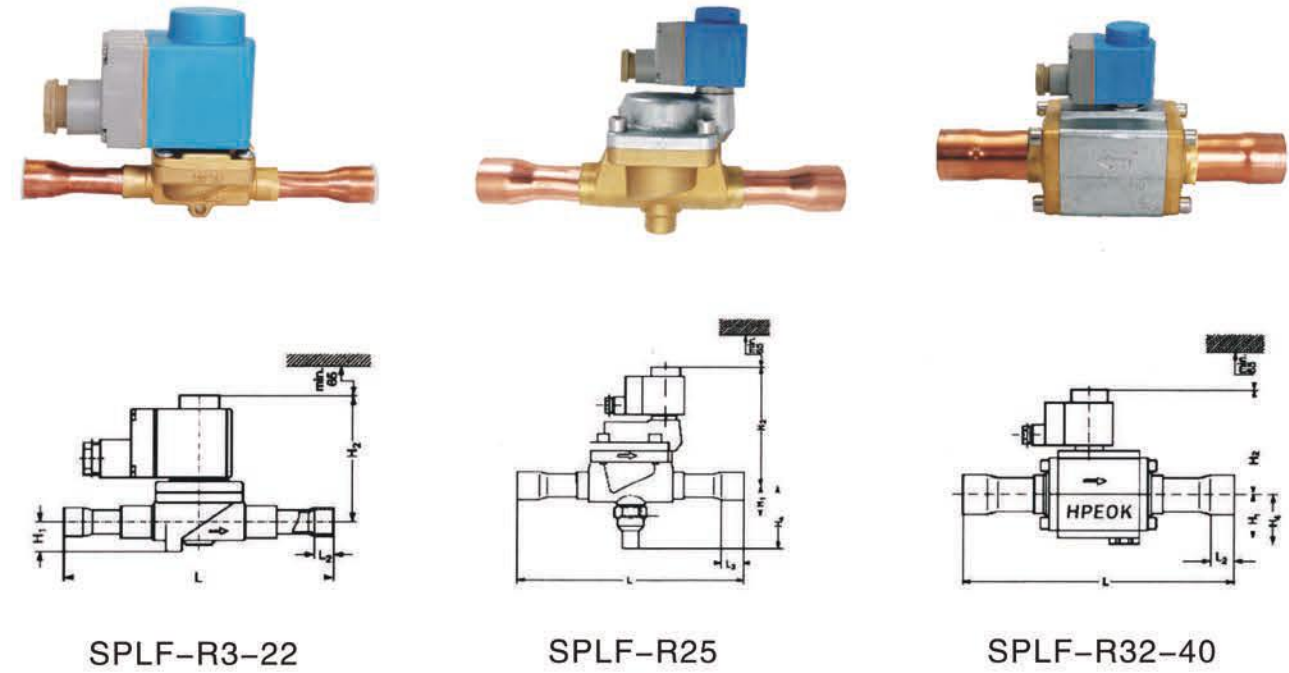
Частное предприятие "Юдипен-Холод" || +375296803378 || <https://купизапчасть.бел> || Минская обл., Минский р-н, Щомыслицкий с/с, 92/4

7.3 SPLF-R型活磁式电磁阀
7.3 SPLF-R SOLENOID VALVE TYPE SPLF



◆应用 / Applications

- SPLF-R电磁阀是一种直动式或伺服式电磁阀，适用于冷冻、冷藏空气调节等各种装置的制冷剂控制、包括液管、吸气和排气管路，兼容含氟制冷剂，可选配适用高温高压制冷剂的电磁阀，比如R410A，所以订购前请确认制冷剂。
 - SPLF-R可选常开和常闭型，可以以元件形式单独供应，即阀体、线圈、法兰分开订。
- SPLF-R Series Solenoid Valves are direct operated or servo operated, mainly used in liquid, suction and hot gas lines of refrigeration, freezing, air conditioning and heat pumps systems. The solenoid valves are compatible with fluorinated refrigerants, optional for use with high-pressure refrigerants, e.g. R410a. These solenoid valves can be delivered as normally open or normally closed types, normally delivery with complete valve with coil, but we can delivery separated parts, such as valve body, coil and flange.



◆技术参数 / Technical data

- 适用于所有氟化物制冷剂，包括CFC、HCFC和HFC
- 最高工作压力: SPLF-RS-SPLF-R15:3.5Mpa(35Bar) SPLF20-R40:3.2Mpa(35Bar)
- Can be used for all fluorinated refrigerants (CFC, HCFC and HFC)
- Max working pressure: SPLF-R3-R15: 3.5Mpa(35Bar) SPLF20-R40:3.2Mpa(35Bar)

◆主要特点 / Features:

- 适用于冷藏、冷冻、空气调节装置的各种场合
- 提供常闭(NC)型和常开(NO)
- 多种交流和直流电磁阀线圈的广泛选择
- 接口范围大: 从1/4"(6mm)至2-1/8"(54mm)
- 接口形式多, 可提供焊接, 喇叭口及法兰连接
- 用于焊接连接的加长接管, 便于安装, 焊接时不需拆装阀门
- 出厂全检, 包括内外漏测试和电气性能
- Suitable to refrigeration, freezing, air conditioning and heat pump systems.
- Normally open or normally closed.
- Full range of coils, including AC and DC.
- Connection size from 1/4"(6mm) to 2-1/8"(54mm).
- Range of connection, can provide welding, horn and flange connection.
- Full range of connection types. Extended ends for soldering, it makes easy assemble, no necessary to dismantle the valve when soldering.
- 100% testing, including internal & external leakage and electrical characteristics.

◆线圈参数 / Coil data:

- 温度范围: -40°C~+105°C
- 功率: 12V、24V、110V、220V, 50/60Hz
- 允许电压波动: +10~-15%
- 线圈允许最高温度: +130°C
- 线圈额定电压: AC 220V~230V, 50/60Hz
- 防护等级: IP65
- Temperature range: -40°C~105°C.
- Power: 12V, 24V, 110V, 220V, 50/60Hz.
- Coil Allowed voltage fluctuating range: +10 ~ -15%.
- Coil Allowed max temperature: +130°C.
- Coil Rated Voltage: AC 220V~230V, 50/60Hz.
- Line protection: IP65.

◆主要零件材料

名称 Part name	材料牌号 Material	材料标准 Standard	名称 Part name	材料牌号 Material	材料标准 Standard
阀体 Valve body	Ot400	GB1378-78	密封垫 Gasket	PTFE	GB/T8873-1989
阀盖 Valve cover	Hp59-1	GB/T5231-2001	弹簧 Spring	65Mn	GB/T1239.2-1989
铜管 Cooper tube	TP2Y2(T2Y2)	GB1527-1997	O型圈 O ring	HNBR	QC/T666-2000

型号 MODEL	接口尺寸 Inlet & Outlet		H1		H2		H4		L		L2	
	in	mm	in	mm	in	mm	in	mm	in	mm	in	mm
SPLF-R3	1/4	6	0.5	14	2.8	71	-	-	4.0	102	0.3	7
	3/8	10	0.5	14	2.9	73	-	-	4.6	117	0.4	10
SPLF-R6	3/8	10	0.5	14	3.1	79	-	-	4.4	111	0.4	10
	1/2	12.8	0.5	14	3.1	79	-	-	5.0	127	0.4	10
SPLF-R10	1/2	12.8	0.6	16	3.1	79	-	-	5.0	127	0.4	10
	5/8	16	0.6	16	3.1	79	-	-	6.3	160	0.5	12
SPLF-R15	5/8	16	0.7	19	3.4	86	-	-	6.9	176	0.5	12
	7/8	22	0.7	19	3.4	86	-	-	6.9	176	0.7	17
SPLF-R20	7/8	22	0.8	20	3.5	90	-	-	7.5	191	0.7	17
	1-1/8	28.8	0.8	20	3.5	90	-	-	8.4	214	0.8	22
SPLF-R22	1-3/8	35.0	0.8	20	3.5	90	-	-	11.1	281	1.0	25
	1-1/8	28.8	1.5	38	5.4	138	2.8	72	10.0	256	0.8	22
SPLF-R25	1-3/8	35.0	1.5	38	5.4	138	2.8	72	11.0	281	1.0	25
	1-3/8	35.0	1.9	47	4.4	111	2.1	53	11.0	281	1.0	25
SPLF-R32	1-5/8	42.0	1.9	47	4.4	111	2.1	53	11.0	281	1.1	29
	1-5/8	42.0	1.9	47	4.4	111	2.1	53	11.0	281	1.1	29
SPLF-R40	2-1/8	54.0	1.9	47	4.4	111	2.1	53	11.0	281	1.3	34

Частное предприятие "Юдипен-Холод" || +375296803378 || <https://купизапчасть.бел> || Минская обл., Минский р-н, Щомыслицкий с/с, 92/4

Частное предприятие "Юдилен-Холод" || +375296803378 || <https://купизапчасть.бел> || Минская обл., Минский р-н, Щомыслицкий с/с, 92/4

型号 MODEL	电磁阀开启压差使用标准线阀p(bar)			介质温度 (°C) MEDIUM TEMPERATURE	最大工作压力 (Mpa) MAX WORK PRESS (MPA)	Kv值 (m ³ /h) KV NUMBER(M2/H)
	最小工作压差 MIN WORK PRESS	最大工作压差MOPD(液体)Max work press MOPD				
		10W a.c	12W a.c			
SPLF-R3	0.0	21	25	-40→+105	3.5	0.27
SPLF-R6	0.05	21	25	-40→+105	3.5	0.8
SPLF-R10	0.05	21	25	-40→+105	3.5	1.9
SPLF-R15	0.05	21	25	-40→+105	3.2	2.8
SPLF-R20	0.05	21	25	-40→+105	3.2	5.0
SPLF-R22	0.05	21	25	-40→+105	3.2	6.0
SPLF-R25	0.20	21	25	-40→+105	3.2	10.0
SPLF-R32	0.20	21	25	-40→+105	3.2	16.0
SPLF-R40	0.20	21	25	-40→+105	3.2	25.0

注: 1、Kv值为水在通过电磁阀压差等于0.1Mpa时的流量。单位: m³/h,密度p=1000kg/m²
2、气态介质的MOPD约高0.1Mpa

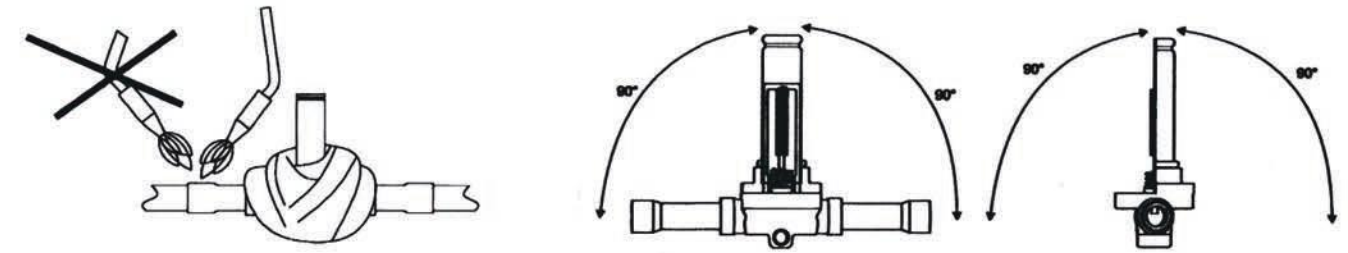
PLS:1) KV number is flow of water access to solenoid valve pressure difference to 0.1Map
2)Gas medium MOPD will high 0.1Mpa

型号 MODEL	流体制冷量 (Kw) Fluid cooling capacity											
	液体 LIQUID				气体 GAS				热气体 HOT GAS			
	R22	R134a	R404A R507	R407c	R22	R134a	R404A R507	R407c	R22	R134a	R404A R507	R407c
SPLF-R3	5.40	5.00	3.80	5.08	-	-	-	-	2.50	2.00	2.00	2.43
SPLF-R6	16.10	14.80	11.20	15.13	1.80	1.30	1.30	1.60	7.40	5.90	6.00	7.18
SPLF-R10	38.20	35.30	26.70	35.91	4.30	3.10	3.96	3.98	17.50	13.90	14.30	16.98
SPLF-R15	52.30	48.30	36.50	49.16	5.90	4.20	6.30	5.43	24.00	19.00	19.60	23.28
SPLF-R20	101.00	92.80	70.30	94.90	11.40	8.10	10.20	10.49	46.20	36.60	37.70	44.81
SPLF-R22	121.00	112.00	84.30	113.70	13.70	9.70	12.20	12.60	55.40	43.90	45.20	53.74
SPLF-R25	201.00	186.00	141.00	188.90	22.80	16.30	20.40	20.98	92.30	73.20	75.30	89.53
SPLF-R32	322.00	297.00	252.00	302.50	36.50	26.10	32.60	33.58	148.00	117.00	120.00	143.56
SPLF-R40	503.00	464.00	351.00	472.70	57.00	40.80	51.00	52.44	231.00	183.00	188.00	224.07

注: 1、液态和吸气名义制冷量工况条件: 蒸发温度te=-10°C, 阀体液体温度ti=+25°C,经过电磁阀的压力降Δp=0.15bar
2、热气名义制冷量工况条件: 冷凝温度tc=+40°C,经过电磁阀的压力降p=0.08Mpa,热气温度tn=+65°C,液态制冷剂过热度Δtsub=4k

PLS:1)Liquid and suction nominal refrigerating capacity conditions: evaporating temperature =-10°C Valve liquid temperature=+25°C pressure drop access to valve Δp=0.15bar

2)Thermal condition of nominal refrigerating capacity: condensation temperature=+40°C pressuredrop access to valve P=0.08Mpa,Hot gas temperature=+65°C Liquid refrigerant superheatΔtsub=4k



◆ 安装说明 / Installation Note

- 1、安装电磁阀时, 必须使阀体上的箭头方向按流向安装, 通常情况下, 如果电磁阀安装在热力膨胀阀前, 则电磁阀必须靠近该热力膨胀阀以避免电磁阀在打开时出现液击。
- 2、确保阀门周围的管路安装正确。
- 3、如果在焊接时使用了合适的隔热措施, 则通常情况下不必拆下电磁阀来行焊接工作。
- 4、安装阀门是不允许线圈向下安装。
- 5、安装阀门到管路时, 须拆下阀体以防止O型圈和垫圈受热。
- 6、测试压力时, 线圈必须通电或手动打开系统中所有的电磁阀 (如有手动操作杆, 但必须在启动前拧回操作杆, 否则阀门将无法关闭)。
- 7、最后, 固定电磁阀到管路的时候, 始终使用反作用力 (在阀门同侧使用两把扳手)。

Before fitting the valve to the pipe, it is advisable to make sure the refrigeration system is clean.

- 1)when installing solenoid valves, must ensure the arrow direction in the valve body is same flow direction. If the solenoid valve installed ahead of a thermostatic expansion valve, normally, install it close to that expansion valve. It can avoid liquid slugging when the solenoid valve opens.
- 2)Make sure the pipes around the valve installed correctly.
- 3)If proper heat proof adopted when Brazing/welding, normally, dismantling is not required. Do not spatter the weld bead to the armature tube.
- 4)Coil down is not allowed when valve is installed.
- 5)Remove the valve body to protect O-rings and gaskets against heat when welding the valve to the pipe.
- 6)Ensure the solenoid valves in the system are open when testing pressure, either apply voltage to the coils or open the valves manually(a manual operation spindle is present. Be sure to screw the spindle back before starting up, or the valve will not close.
- 7)Use counter force when tightening the solenoid valve to pipes, i.e.using two spanners on the same side of the valve.

◆ 线圈安装 / Coil installation:

预备各种工具来安装或拆除线圈, 如两把螺丝刀

- 1、安装线圈时, 把线圈轻轻按到枢管上, 听到喀嗒一声后完成线圈安装。
注意1: 切记:在阀体和线圈间安装一个O型圈, 确保O型圈完整、干净、表面无任何其他材料。
注意2: 在维修时必须更换O型环。
- 2、拆线圈时, 在阀体和线圈间插入一把螺丝刀轻轻拆下线圈, 然后将螺丝刀以杠杆的方式来松开线圈。
- 3、电缆入口: 必须防止水进入接线盒, 电缆必须通过滴水圈引出。
- 4、电缆整个圆周必须在电缆入口内, 因此必须使用圆开电缆 (唯一一种可以有效密封的电缆)。
- 5、清楚电缆导线的颜色, 不同颜色的导线不是相线便是中性线
- 6、请不要对阀体施加过大的冲击或负荷, 否则可能引起阀体开裂, 导致冷媒外漏。
- 7、不要在线圈周围放置易燃物品, 否则会因线圈发热引起着火事故。
- 8、请不要对线圈施加过大的冲击或负荷, 否则会因线圈开裂, 绝缘层破坏导致烧毁或触电事故, 或因引线折断导致阀体动作不良。
- 9、线圈与阀体分开时, 请不要对线圈通电, 否则会引起线圈烧毁。
- 10、请不要输入额定电压以外的电压, 否则会引起线圈烧毁。
- 11、请要要将线圈保温, 否则会因散热不良导致线圈烧毁。
- 12、线圈通电时不要触摸线圈, 否则会导致烫伤。
- 13、请要不要将线圈安装在有结霜的地方, 否则会因绝缘性能下降导致线圈被烧毁。
- 14、焊接接管时, 请取下线圈, 否则会因温度过大而烧毁线圈。

Частное предприятие "Юдилен-Холод" || +375296803378 || <https://купизапчасть.бел> || Минская обл., Минский р-н, Щомыслицкий с/с, 92/4

常用单位对照表
Reference Listting For Commonly Used Units

一、制冷量 Refrigeration Capacity

1W=3.41Btu/h
1W0.86kca/h
1ton(冷吨)=3.517kw

二、温度 Temperature °F 华氏 °C 摄氏 K热力学温度

t(°C)=5/9 × T(°F) - 32
t(°F)=9/5 × t(°C) + 32
t(K)=273 + t(°C)

三、压力单位换算关系 Conversion Table of Pressure Units

压力单位 Pressure Units	帕斯卡 Pa	工程大气压 Kgf/cm2	巴 Bar	毫米汞柱 mmHg	标准大气压 atmf	磅力/平方英尺 psi
1 Pa	1	1.01972 × 10 ⁻³	1 × 10 ⁻⁵	7.50065 × 10 ⁻³	9.86923 × 10 ⁻⁶	1.45039 × 10 ⁻⁴
1 Kgf/cm2	9.80665 × 10 ⁴	1	0.980665	735.559	0.967841	14.2235
1 Bar	1 × 10 ⁵	101972	1	750.062	0.986923	14.5039
1 mmHg(tor)	133.322	1.35951 × 10 ⁻³	1.33322 × 10 ⁻³	1	1.31579 × 10 ⁻³	0.01934
1 atmf	1.01325 × 10 ⁵	1.03323	1.01325	760	1	14.6961
1 psi	6894.7	0.07031	0.66895	51.7063	0.06805	1

四、长度 (Length)

1 inch (英寸) = 25.4mm (毫米) 1 mm(毫米) = 0.0394inch(英寸)

五、重量 (Weight)

1 Lb(磅) = 454g(克) 1 Kg(千克) = 2.203lb(磅)

六、容积 (Volume)

1 Oz(盎司) = 29.6ml 1 L(升) = 33.80 Oz(盎司)

七、货柜材积表 Container Volume Table

	长 (L)	宽 (W)	高 (H)	立方英寸 (Cuft ³)	立方公尺 (Cum ³)
CONTAINER SPC	20"	8'	8' 6"		
CONTAINER	19' 4 1/4	7' 8"-5/8	7' 10"	1170 × 1000	
	5.899m	2.352m	2.386m		33.1 × 28
	长 (L)	宽 (W)	高 (H)	立方英寸 (Cuft ³)	立方公尺 (Cum ³)
CONTAINER SPC	35"	8'	8' 6"		
CONTAINER	34' 7"	7' 8"-2/1"	7/10"	2088 × 1800	
	10.54m	2.34m	2.39m		58.9 × 50
	长 (L)	宽 (W)	高 (H)	立方英寸 (Cuft ³)	立方公尺 (Cum ³)
CONTAINER SPC	40"	8'	8' 6"		
CONTAINER	39.5-3/8	7' 8"-5/8	7' 10"	2383 × 2000	
	12.02m	2.352m	2.386m		67.5 × 57

Prepar kinds of tools,such us 2pcs screwdriver

1) When installing the coil, press the coil lightly on the pivot pipe and finish the coil installation after hearing the click .

Note 1: remember to install an O – ring between the valve body and coil, ensure intasll the O–ring clean and no any other material on surface .

Note2:It's need to change O–ring when maintain.

2) Insert a screwdriver between valve body and coil can easily remove the coil. And the rewdriver also can be used as a lever to loosen the coil.

3) Notice the cable entries , protect the terminal box away from water , and the cable must be led out via a drip loop.

4) The entire circumference of the cable must be within the cable inlet, so must to ues round pen cable

5)Knowthecolor of cable conductor , wires in different colors are either phase or neutral .

6)Do not apply excessive impact and load to the valve body ,otherwise the valve will be break and the refrigerant will leak

7)Do not put inflammable around the coil, otherwise it will cause fire .

8)Please do not apply excessive strength for coil, otherwise the coil will crack, the insulation layer will break, resulting in leakage of electricity and lead wire break, resulting in poor valve body .

9)The coil is separated from the valve body, please do not electrify the coil, otherwise the coil will burn out.

10)Please do not input extra voltage, otherwise the coil will burn down.

11)Please do not keep the coil warm, otherwise the coil will burn down due to poor heat dissipation .

12)Please do not touch coil when coil woking ,otherwise will burnt you .

13)Please do not install the coil in the frosting position, otherwise the coil will be burnt due to the insulation performance .

14) Please take down the coil when welding ,otherwise the high temperature will burnt coil.



◆线圈选择 / Coil choose

1、阀门和线圈必须匹配，线圈的电压和频率必须和电源电压相对应，否则极有可能会烧毁线圈。

2、电磁阀NC(常闭)和NO(常开)的选择。

○ 阀门在多数工作时间内须保持闭合(未通电)的系统，使用NC(常闭)电磁阀。

○ 阀门在多数工作时间内须保持开启(未通电)的系统，使用NO(常开)电磁阀。

注意：不能使用NC(常闭)电磁阀来替换NO(常开)电磁阀，反之亦然。

Ensure the valve and coil match each other , voltage and frequency of the coil must correspond to the power voltage,otherwise it will destroy the coil .

NC(normally closed) solenoid valve : Used for the system that the valve must keep closed in the most operating time .

NO(normally open)solenoid valve : Used for the system that the valve must keep open in the most operating time .

Remember never replace an NO solenoid valve with an NC solenoid valve –or replace an NC solenoid valve with an NO solenoid valve .